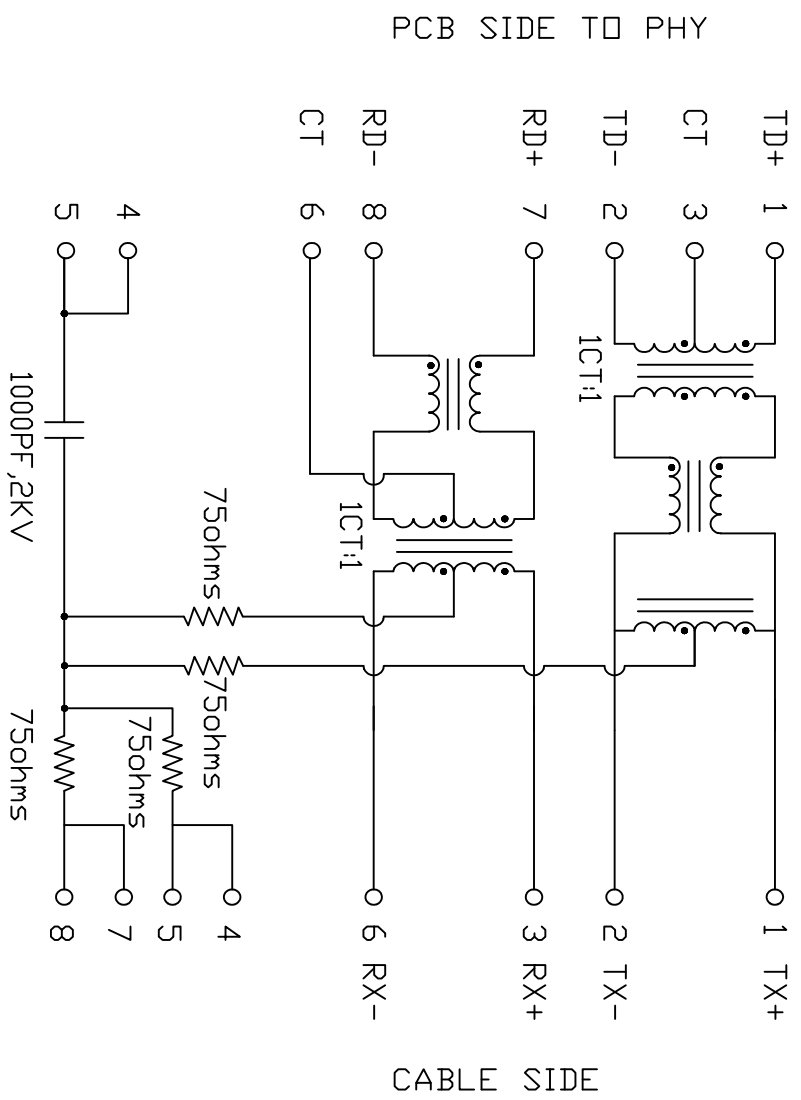


Rev	AWO #	Description	Date	Appr
		SEE SHT 1 OF 2 FOR REVISION		

APPROVED: _____

DATE: _____ TITLE: _____



ELECTRICAL CHARACTERISTICS

- 1-1 Turn Ratio: TP1-2 1CT:1CT(±3%)
- 1-2 Primary Inductance: 350uH Min. @100kHz, 0.1Vrms, 8mADC BIAS
- 1-3 Hi-POT TEST: TP1-2 1500Vrms
- 1-4 TRANSMITTER FILTER

Type: Balance Low Pass 100 Ohm Impedance Nom
 Insertion Loss: 0.5~100MHz 1.0dB MAX.
 Return Loss: 0.5~40MHz 18dB MIN
 40~100MHz 12-20LOG(f/80)dB MIN

- 1-5 Cross Talk: 0.5~40MHz 35dB MIN.
 40~100MHz 33-20LOG(f/50)dB MIN.
- 1-6 CM TO CM REJECTION:
 0.5~100MHz 30dB MIN.

A

B

C

D

A

B

C

D

ADAM TECH

909 Rahway Avenue, Union, NJ 07083
 Phone: 908-687-5000 Fax: 908-687-5710

MODULAR JACK GANGED, 1 PORT, 8P8C

UNLESS OTHERWISE SPECIFIED ALL DIMENSIONS ARE INCHES [MM]	
TOLERANCES: EXCEPT AS NOTED	
INCHES	HOLES
.X ±.10 Ø.X ±.10	±.10
.XX ±.020 Ø.XX ±.015	±.015
.XXX ±.015 Ø.XXX ±.010	±.010
APPROVALS	DATE
DRAWN DY	6/13/11
CHECKED	
APPROVED	

SIZE	PART NO.	REV.
X	MTJ-88TX1-FSD-PG-M8-A	-
REF:	S0067T	
SCALE:	NTS	
SHEET	2 OF 2	