

6

5

4

3

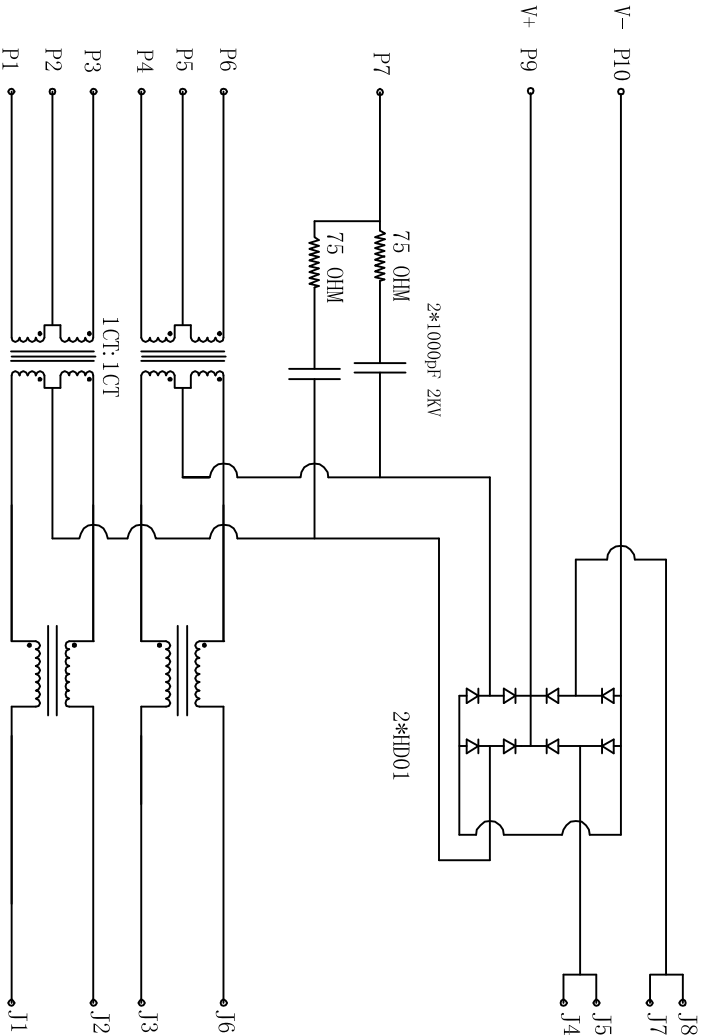
2

1

Rev	AWO #	Description	Date	Appr
		SEE SHT 1 OF 2 FOR REVISION		

APPROVED: \_\_\_\_\_

DATE: \_\_\_\_\_ TITLE: \_\_\_\_\_



**ELECTRICAL SPECIFICATIONS:**

- Turns Ratio: (P1 ~ P3) : (J1 ~ J2) 1:1 ±3%  
(P4 ~ P6) : (J3 ~ J6) 1:1 ±3%
- Inductance: (P1 ~ P3) 350uH min. @ 0.1V, 100KHZ, 8mA DC Bias  
(P4 ~ P6) 350uH min. @ 0.1V, 100KHZ, 8mA DC Bias
- Leakage Inductance: P1 ~ P3 (with J1 and J2 Short): 0.4uH Max. @ 1 MHz  
P4 ~ P6 (with J3 and J6 Short): 0.4uH Max. @ 1 MHz
- Interwinding Capacitance: (P1 ~ P3) : (J1 ~ J2): 40pF max. @ 1mhz  
(P4 ~ P6) : (J3 ~ J6) : 1.2 Ohms Max.
- DC Resistance: (J1 ~ J2): -18dB min / 30MHZ to 80MHZ: -12dB min
- Return Loss: 1MHZ to 30MHZ: -18dB min / 30MHZ to 80MHZ: -12dB min
- Dielectric Withstanding: (P1~P3) : (J1~J2) : 1500VAC  
(P4~P6) : (J3~J6) : 1500VAC
- Insertion Loss: RS=RL=100OHM : 100KHZ TO 80MHZ : -1.2dB Min.
- Cross Talk: 1MHZ to 100MHZ: 35dB Typ.
- Common to Common mode Attenuation 30MHZ to 100MHZ: 30dB Typ.

UNLESS OTHERWISE SPECIFIED  
ALL DIMENSIONS ARE INCHES [MM]  
TOLERANCES: EXCEPT AS NOTED  
INCHES HOLES  
.X ±.10 Ø.X ±.10  
.XX ±.020 Ø.XXX ±.015  
.XXX ±.015 Ø.XXXX ±.010

**ADAM TECH**  
909 Ratway Avenue, Union, NJ 07083  
Phone: 908-687-5000 Fax: 908-687-5710

APPROVALS	DATE
DRAWN	DY
CHECKED	
APPROVED	

TITLE	MODULAR JACK GANGED, 1 PORT, 8P8C
SIZE	PART NO.
X	MTJ-88TX1-FSD-M65
REF:	SCALE: NTS
	SHEET 2 OF 2

6

5

4

3

2

1