

6

5

4

3

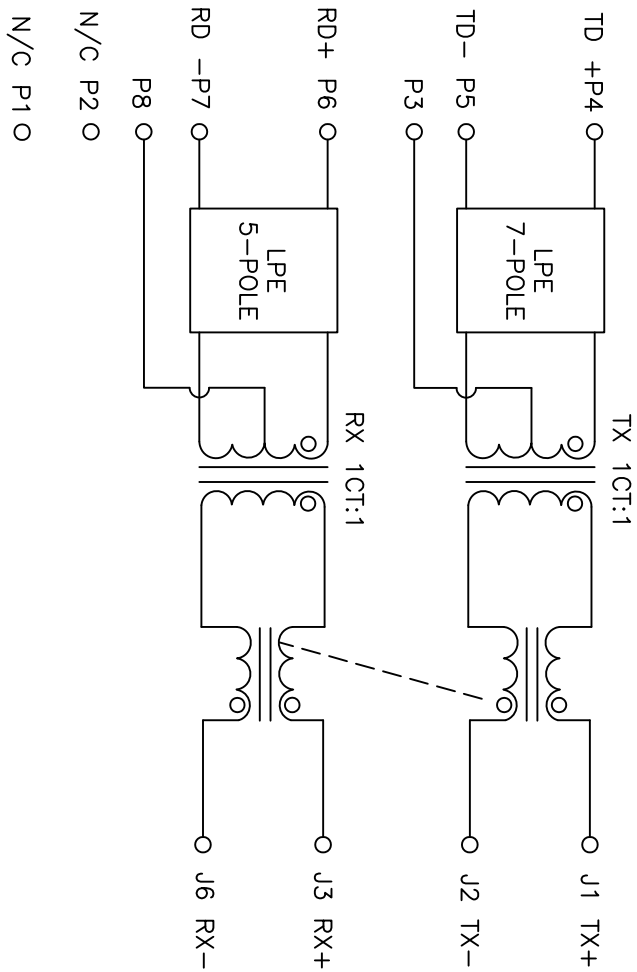
2

1

Rev	AWO #	Description	Date	Appr
		SEE SHT 1 OF 2 FOR REVISION		

APPROVED: _____

DATE: _____ TITLE: _____



ELECTRICAL SPECIFICATIONS:@25°C

- Turns Ratio:
TX=1CT:1 RX=1CT:1
- Return Loss:
5-10MHz: -15dB MIN
- Crosstalk:
1-10MHz: -30dB MIN
- Insertion Loss:
5-10MHz: -1dB MIN
- Attenuation: @30MHz
TX: -30dB MIN
RX: -18dB MIN
- Pri Impedance:
TX: 100 ohms RX:100 ohms
- Isolation Voltage: 1500Vrms
- Operating Temp: 0 ~ 70°C

UNLESS OTHERWISE SPECIFIED
ALL DIMENSIONS ARE INCHES [MM]
TOLERANCES: EXCEPT AS NOTED
INCHES: .10 Ø.XX ±.015
.XX ±.020 Ø.XXX ±.010
.XXX ±.015 Ø.XXX ±.010

ADAM TECH
909 Rahway Avenue, Union, NJ 07083
Phone: 908-687-5000 Fax: 908-687-5710

DRAWN	DY	DATE	7/11/11
CHECKED			
APPROVED			
SIZE	PART NO.	REV.	
X	MTJ-88TX1-FSD-PG-M146	-	
REF:	S00043C	SCALE:	NTS
		SHEET	2 OF 2

6

5

4

3

2

1