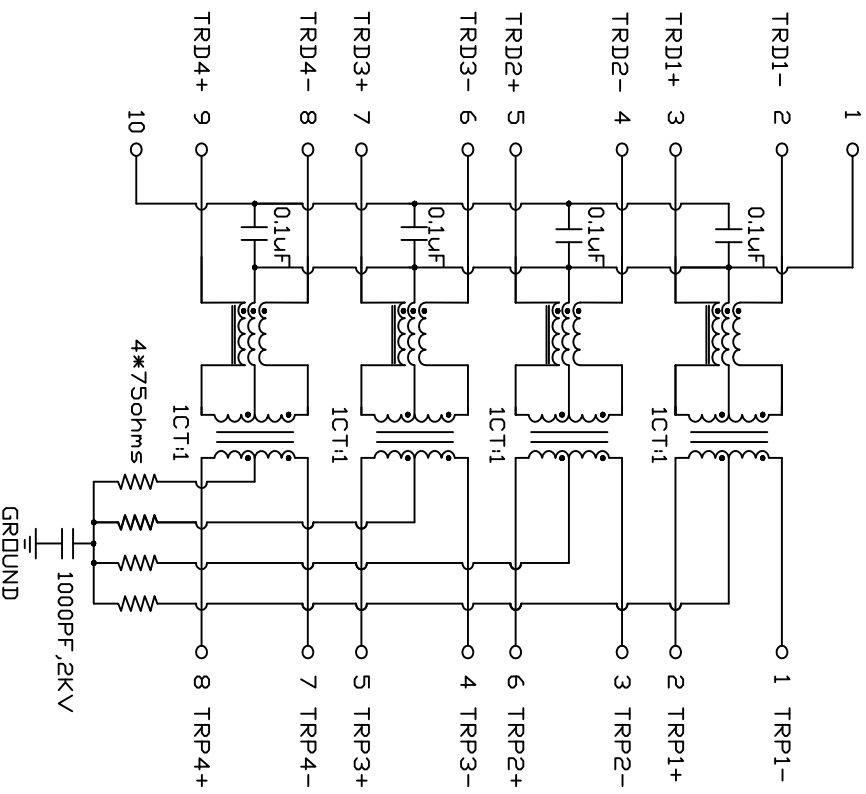


Rev	AWO #	Description	Date	Appr
		SEE SHT 1 OF 2 FOR REVISION		

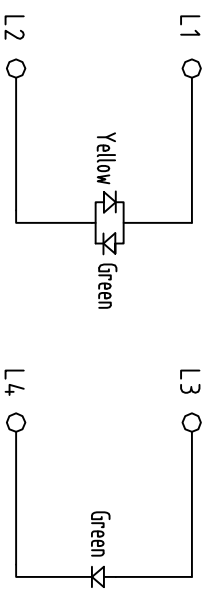
APPROVED: \_\_\_\_\_

DATE: \_\_\_\_\_ TITLE: \_\_\_\_\_

PCB SIDE TO PHY



CABLE SIDE



ELECTRICAL SPECIFICATIONS:

- Turns Ratio: TP1-2 1CT:1CT(±3%)
- Primary Inductance: 350uH Min. @100KHz, 0.1Vrms, 8mADC BIAS
- Hi-POT TEST: TP1-2 1500Vrms
- TRANSMITTER FILTER
  - Type: Balance Low Pass 100 Ohm Impedance Nom
  - Insertion Loss: 0.5~100MHz 1.0dB MAX.
  - Return Loss: 0.5~40MHz 16dB MIN
  - 40~100MHz 10~20LOG(f/80)dB MIN
  - 40~100MHz 35dB MIN.
- Cross Talk: 0.5~40MHz 35dB MIN.
- 40~100MHz 33~20LOG(f/50)dB MIN
- CM TO CM REJECTION: 0.5~100MHz 30dB MIN.

UNLESS OTHERWISE SPECIFIED  
ALL DIMENSIONS ARE INCHES [MM]  
TOLERANCES: EXCEPT AS NOTED

.X	± .10	Ø.X	± .10
.XX	± .020	Ø.XXX	± .015
.XXX	± .015	Ø.XXXX	± .010

APPROVALS

DRAWN	DY	DATE
CHECKED		7/14/11
APPROVED		

**ADAM TECH**  
909 Rahway Avenue, Union, NJ 07083  
Phone: 908-687-5000 Fax: 908-687-5710

MODULAR JACK GANGED, 1 PORT, 8P8C  
W/LED1 GREEN / YELLOW, LED2 GREEN

SIZE	PART NO.	REV.
X	MTJ-88TX1-FSD-PG-LU-M145	-
REF: 800/87T	SCALE: NTS	SHEET 2 OF 2