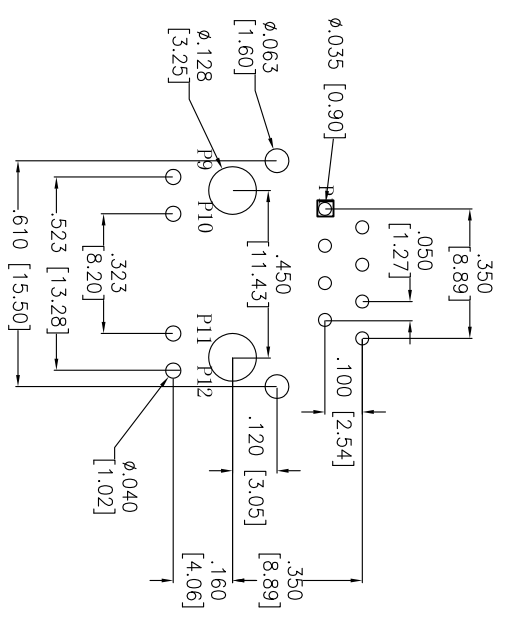
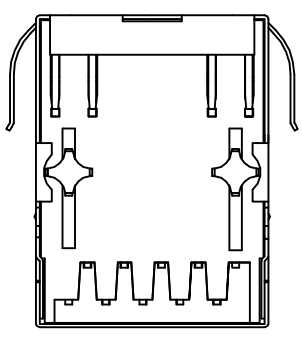
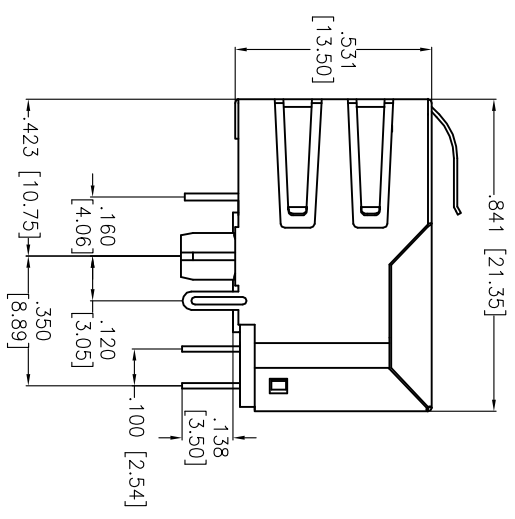
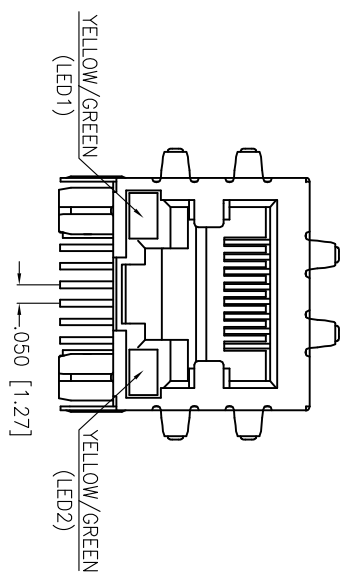


Rev	AWO #	Description	Date	Appr
-		RELEASED	8/06/10	

APPROVED: _____
 DATE: _____ TITLE: _____



RECOMMENDED PCB LAYOUT

X	PLATING
0	15 µin Gold
1	30 µin Gold
2	50 µin Gold

SPECIFICATIONS:

Material:

Insulator: PBT, glass reinforced, rated UL 94V-0

Insulator color: Black

Contacts: Copper Alloy

Shield: Copper Alloy, Nickel plated

Contact Plating:

Gold Flash over Nickel underplate on contact area,
Tin over Copper underplate on tails

(See chart for thickness).

Electrical:

Operating voltage: 150 VAC max

Current rating: 1.5 Amps max

Contact Resistance: 20 mohms max. initial

Insulation resistance: 500 Mohms min @ 500 VDC

Dielectric withstanding voltage: 1000 VAC for 1 minuit

Temperature Rating:

Operating temperature: -40°C to +80°C

Environmental:

Lead free, RoHS compliant.

Recommended soldering temp: 235°C for 5 sec.



ADAM TECH

909 Ratway Avenue, Union, NJ 07083
 Phone: 908-687-5000 Fax: 908-687-5710

TITLE: MODULAR JACK GANGED, 1 PORT, 8P8C
 W/ LED1 YEL/GRN, LED2 YEL/GRN

UNLESS OTHERWISE SPECIFIED ALL DIMENSIONS ARE INCHES [MM]	
.X	± .10
.XX	± .020
.XXX	± .015
.XXX	± .015
Ø.X	± .10
Ø.XXX	± .015
Ø.XXX	± .010
TOLERANCES: EXCEPT AS NOTED	
INCHES	
HOLES	
APPROVALS	
DRAWN	DY
CHECKED	
APPROVED	
DATE	8/06/10

SIZE	PART NO.	REV.
X	MTJ-88TX1-FSD-PG-L-PM5	-
REF: S0005C	SCALE: NTS	SHEET 1 OF 2