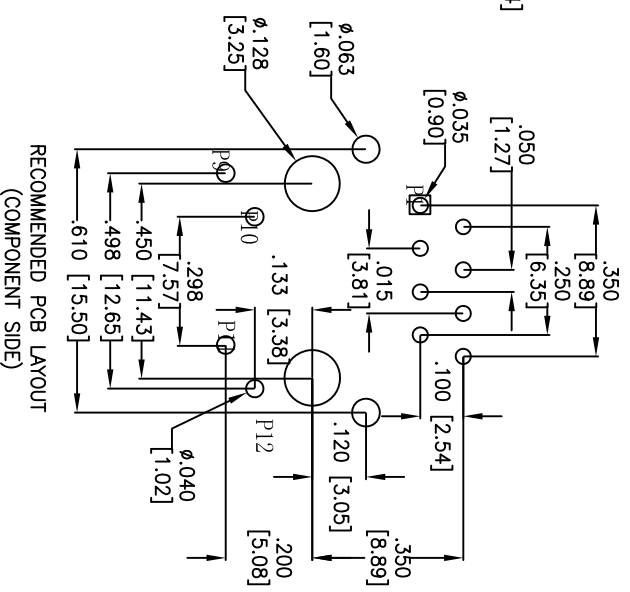
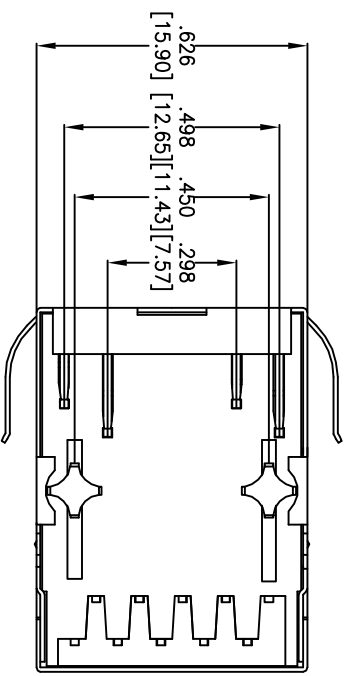
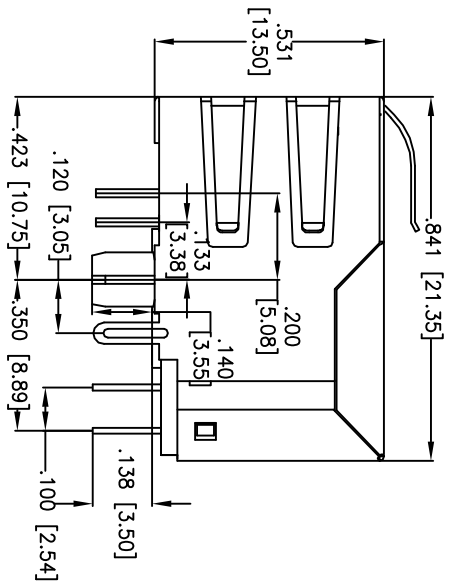
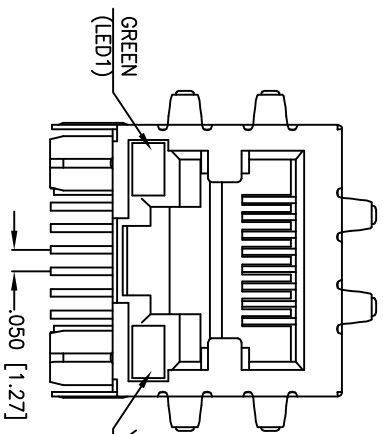


Rev	AWO #	Description	Date	Appr
-		RELEASED	1/13/11	

6 5 4 3 2 1

APPROVED: _____ TITLE: _____

DATE: _____



RECOMMENDED PCB LAYOUT
(COMPONENT SIDE)

SPECIFICATIONS:

Material:

Insulator: PBT, glass reinforced, rated UL 94V-0

Insulator color: Black

Contacts: Copper Alloy

Shield: Copper Alloy, Nickel plated

Contact Plating:

Gold Flash over Nickel underplate on contact area,
Tin over Copper underplate on tails

(See chart for thickness).

Electrical:

Operating voltage: 150 VAC max

Current rating: 1.5 Amps max

Contact Resistance: 20 mohms max. initial

Insulation resistance: 500 Mohms min @ 500 VDC

Dielectric withstanding voltage: 1500 VAC for 1 minut

Temperature Rating:

Operating temperature: -40°C to +80°C

Environmental:

Lead free, RoHS compliant.

Recommended soldering temp: 235°C for 5 sec.

X	PLATING
0	15 µin Gold
1	30 µin Gold
2	50 µin Gold



UNLESS OTHERWISE SPECIFIED
ALL DIMENSIONS ARE INCHES [MM]

TOLERANCES: EXCEPT AS NOTED

INCHES	HOLES
.X ± .10	Ø.X ± .10
.XX ± .020	Ø.XXX ± .015
.XXX ± .015	Ø.XXX ± .010

APPROVALS

DATE	DATE
1/13/11	

DRAWN: AY

CHECKED: SC

APPROVED:

ADAM TECH

909 Ratway Avenue, Union, NJ 07083
Phone: 908-687-5000 Fax: 908-687-5710

TITLE: MODULAR JACK GANGED, 1 PORT, 8P8C
W/ LED1 GREEN, LED 2 YELLOW

SIZE	PART NO.	REV.
X	MTJ-88TX1-FSD-PG-LHM81	

REF: S0005C SCALE: NTS SHEET 1 OF 2

6 5 4 3 2 1