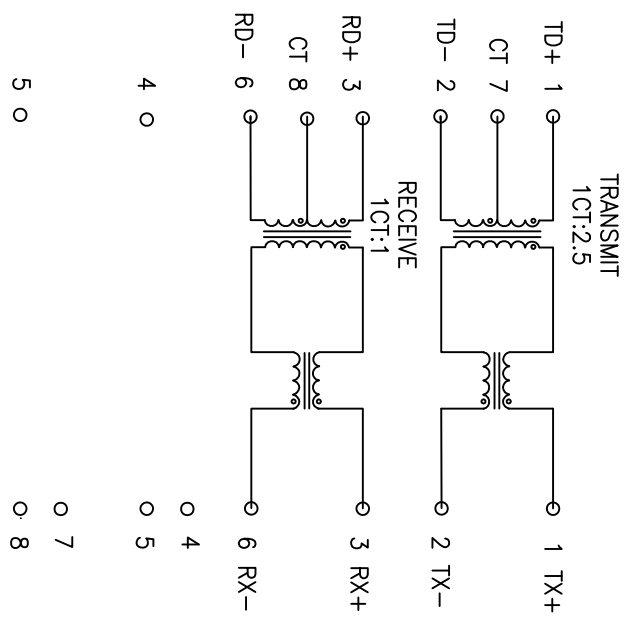


Rev	AWO #	Description	Date	Appr
		SEE SHT 1 OF 2 FOR REVISION		

APPROVED: _____
 DATE: _____ TITLE: _____

PC BOARD CONNECTIONS



RJ45 CONNECTOR



SPECIFICATIONS:

1. OCL:140uH Min@100KHz 50mV
2. Turn Ratio: TX=1CT:2.5 RX=1CT:1
3. Return Loss(100Ω±15Ω): 1-10MHz: -15dB Min
4. Cross talk: 1-10MHz:-30dB Min
5. Insertion Loss: 1-10MHz: -1dB Max
6. CRM: 5MHz:-25dB Min
7. HI-POT: 1500Vrms

UNLESS OTHERWISE SPECIFIED ALL DIMENSIONS ARE INCHES [MM]	
TOLERANCES: EXCEPT AS NOTED	
INCHES	HOLES
.X ± .10	Ø.X ± .10
.XX ± .020	Ø.XXX ± .015
.XXX ± .015	Ø.XXX ± .010
APPROVALS	DATE
DRAWN DY	4/16/10
CHECKED	
APPROVED	

ADAM TECH
 909 Rahway Avenue, Union, NJ 07083
 Phone: 908-687-5000 Fax: 908-687-5710

TITLE: MODULAR JACK GANGED, 1PORT, 8P8C
 W/LED1 GREEN, LED2 YELLOW

SIZE	PART NO.	REV.
X	MTJ-88TX1-FSD-PG-D1LHM91	-
REF: S00043C	SCALE: NTS	SHEET 2 OF 2