

6

5

4

3

2

1

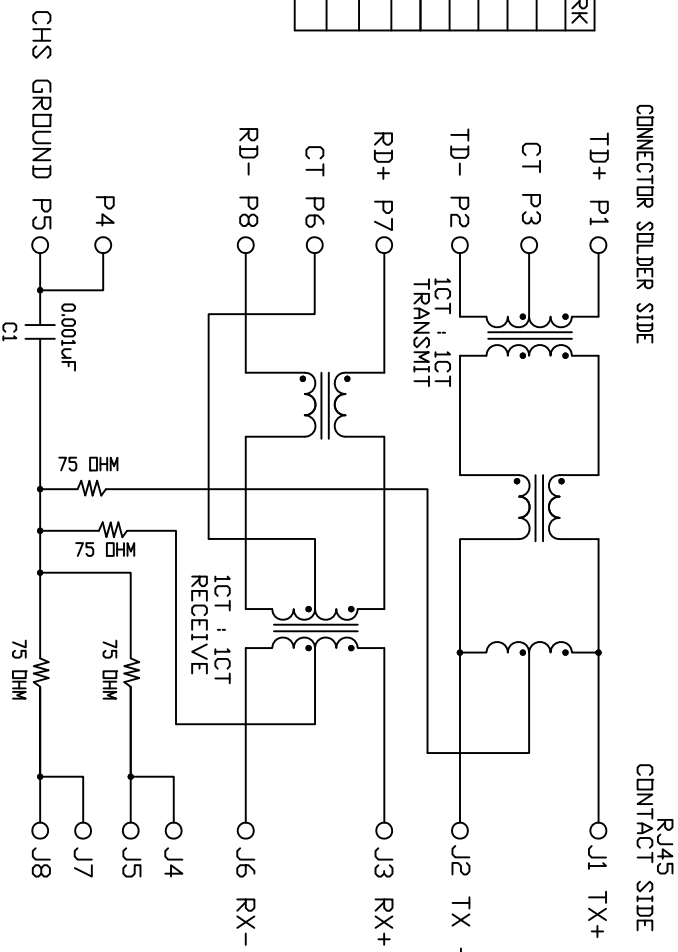
APPROVED: _____

DATE: _____ TITLE: _____

Rev	AWO #	Description	Date	Appr
		SEE SH1 1 OF 2 FOR REVISION		

Specification :

Item	Parameter	Condition	Min.	Typ.	Max.	Unit	REMARK
1	Insertion loss	@1-65 MHz			-1.0	dB	
		@1-10 MHz	-20			dB	
		@10-30 MHz	-16			dB	
2	Return loss	@30-60 MHz	-12			dB	
		@50-80 MHz	-10			dB	
		@1-30 MHz		-40		dB	
3	Crosstalk	@30-60 MHz		-35		dB	
		@60-100 MHz		-30		dB	
4	Hiprot	Vrms	1.5			kV	



NOTE: CONNECT CHS GND TD PCB GROUND.
CONNECTOR SCHEMATIC

UNLESS OTHERWISE SPECIFIED
 ALL DIMENSIONS ARE IN INCHES [MM]
 TOLERANCES: EXCEPT AS NOTED
 INCHES
 HOLES
 .X ± .10 Ø.X ± .10
 .XX ± .020 Ø.XXX ± .015
 .XXX ± .015 Ø.XXX ± .010
 APPROVALS DATE

ADAM TECH
 909 Ratway Avenue, Union, NJ 07083
 Phone: 908-687-5000 Fax: 908-687-5710
 MODULAR JACK GANGED, 1 PORT, 8P8C
 W/ LED1 GREEN, LED 2 YELLOW

DRAWN	DY	6/02/10	SIZE	PART NO.	REV.
CHECKED			X	MTJ-88TX1-FSD-PG-D1H-M8	
APPROVED			REF:	S00065T	

6

5

4

3

2

1

A