

6

5

4

3

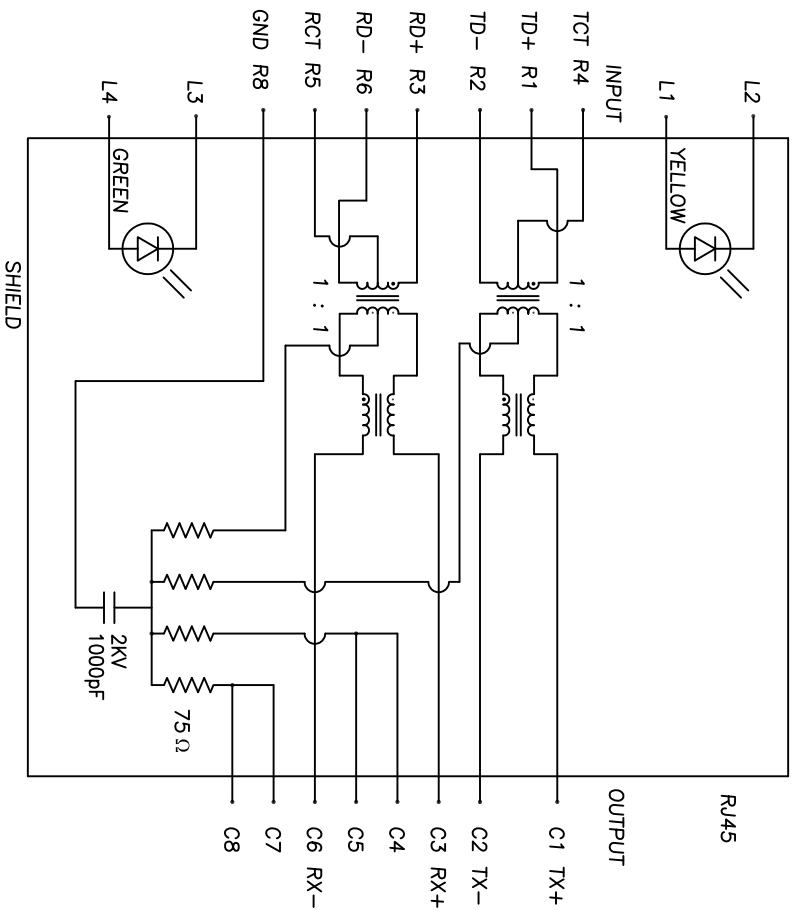
2

1

Rev	AWO #	Description	Date	Appr
		SEE SHT 1 OF 2 FOR REVISION		

APPROVED: \_\_\_\_\_

DATE: \_\_\_\_\_ TITLE: \_\_\_\_\_



**SPECIFICATIONS:**

Transmitter filter & Receiver filter  
Type: Balance low pass 100Ω impedance

Insertion loss: 1~100MHz-1.0dB MAX.

Return loss: 1~30MHz-18dB MIN. load 100Ω  
30~60MHz-16dB MIN. load 100Ω  
60~80MHz-12dB MIN. load 100Ω

Common Mode Rejection  
@1~100MHz-30dB MIN.

Cross Talk  
@1~100MHz-30dB MIN.

INDUCTANCE@100KHz, 0.1V, 8mA DC BIAS  
Input(R1-R2), Input(R3-R6):350.μH MIN.

HiPot TEST

Input(R1-R2) to Output(C1-C2):1500 VAC, 60sec or 2250VDC, 60sec  
Input(R3-R6) to Output(C3-C6):1500 VAC, 60sec or 2250VDC, 60sec

UNLESS OTHERWISE SPECIFIED  
ALL DIMENSIONS ARE INCHES [MM]  
TOLERANCES: EXCEPT AS NOTED

.X	± .10	Ø.X	± .10
.XX	± .020	Ø.XX	± .015
.XXX	± .015	Ø.XXX	± .010

APPROVALS		DATE
DRAWN	DY	10/29/10
CHECKED		
APPROVED		

**ADAM TECH**  
909 Rahway Avenue, Union, NJ 07083  
Phone: 908-687-5000 Fax: 908-687-5710

TITLE: MODULAR JACK GANGED, 1 PORT, 8P8C  
W/ LED1 GREEN, LED2 YELLOW

SIZE	PART NO.	REV.
X	MTJ-88TX1-FSD-PG-D1H-M64	-
REF: S00073T	SCALE: NTS	SHEET 2 OF 2

6

5

4

3

2

1