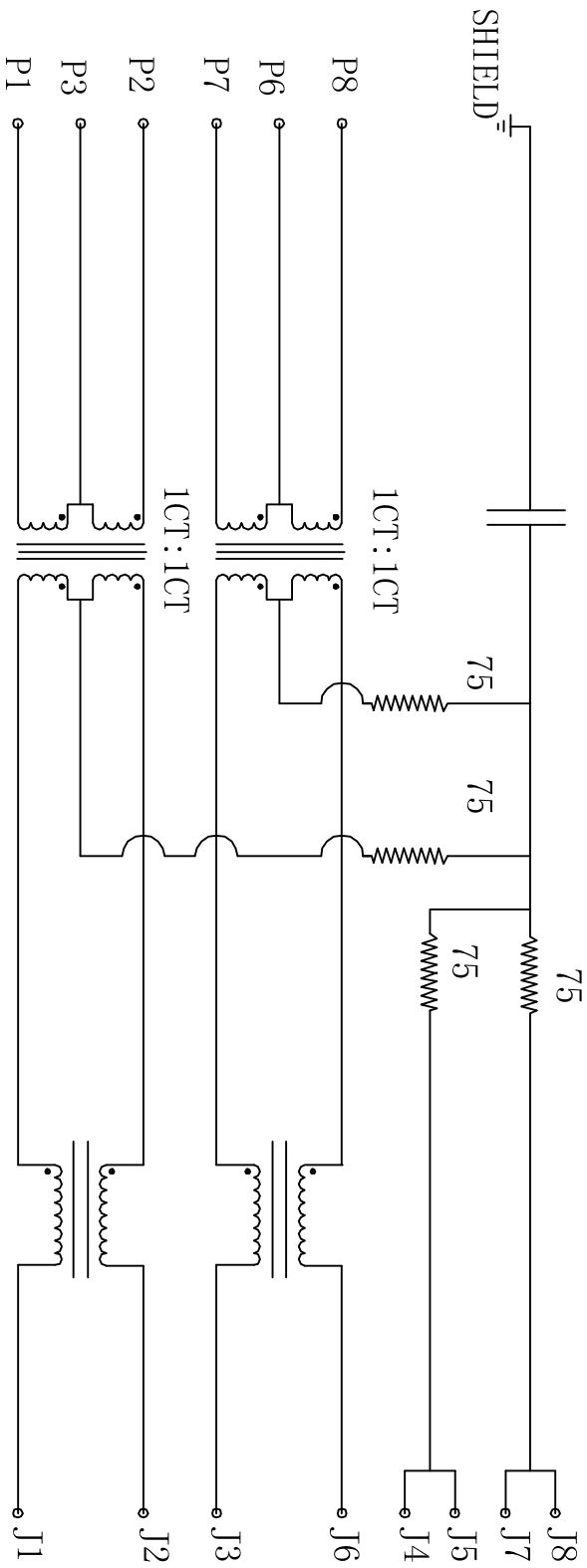


Rev	AWO #	Description	Date	Appr
		SEE SHT 1 OF 2 FOR REVISION		

APPROVED: \_\_\_\_\_

DATE: \_\_\_\_\_ TITLE: \_\_\_\_\_



**ELECTRICAL SPECIFICATIONS**

- Turns Ratio: (P1 ~ P2) : (J1 ~ J2) 1:1 ±3%  
(P7 ~ P8) : (J3 ~ J6) 1:1 ±3%
- Inductance: (P1 ~ P2) 350uH min. @ 0.1V, 100KHZ, 8mA DC Bias  
(P7 ~ P8) 350uH min. @ 0.1V, 100KHZ, 8mA DC Bias
- Leakage Inductance: P1 ~ P2 (with J1 and J2 Short): 0.35uH Max. @ 1 MHz  
P7 ~ P8 (with J3 and J6 Short): 0.35uH Max. @ 1 MHz
- Interwinding Capacitor: (P1 ~ P2) : (J1 ~ J2): 35pF max. @ 1MHz  
(P7 ~ P8) : (J3 ~ J6): 35pF max @ 1mhz
- DC Resistance: (J1 ~ J2) : (J3 ~ J6): 1.2 Ohms Max.
- Return Loss: 1MHz to 30MHz: -18dB min / 30MHz to 80MHz: -12dB min
- Dielectric Withstanding: (P1~P2) : (J1~J2): (P7~P8) : (J3~J6) :1500V AC
- Insertion Loss: RS=RL=100OHM : 100KHZ TO 80MHZ : -1.2dB Min.
- Cross Talk: 1MHZ to 100MHZ: 35dB Typ.
- Common to Common mode Attention 30MHZ to 100MHZ: 30dB Typ.

UNLESS OTHERWISE SPECIFIED  
ALL DIMENSIONS ARE INCHES [MM]  
TOLERANCES: EXCEPT AS NOTED

INCHES	HOLE
.X ± .10	Ø.X ± .10
.XX ± .020	Ø.XXX ± .015
.XXX ± .015	Ø.XXX ± .010

APPROVALS

DRAWN	DY	DATE
CHECKED		
APPROVED		

**ADAM TECH**  
909 Rahway Avenue, Union, NJ 07083  
Phone: 908-687-5000 Fax: 908-687-5710

TITLE: **MODULAR JACK GANGED, 1 PORT, 8P8C**

SIZE	PART NO.	REV.
X	MTJ-88TX1-FSD-M83	-
REF:	S00005C	SCALE: NTS
		SHEET 2 OF 2