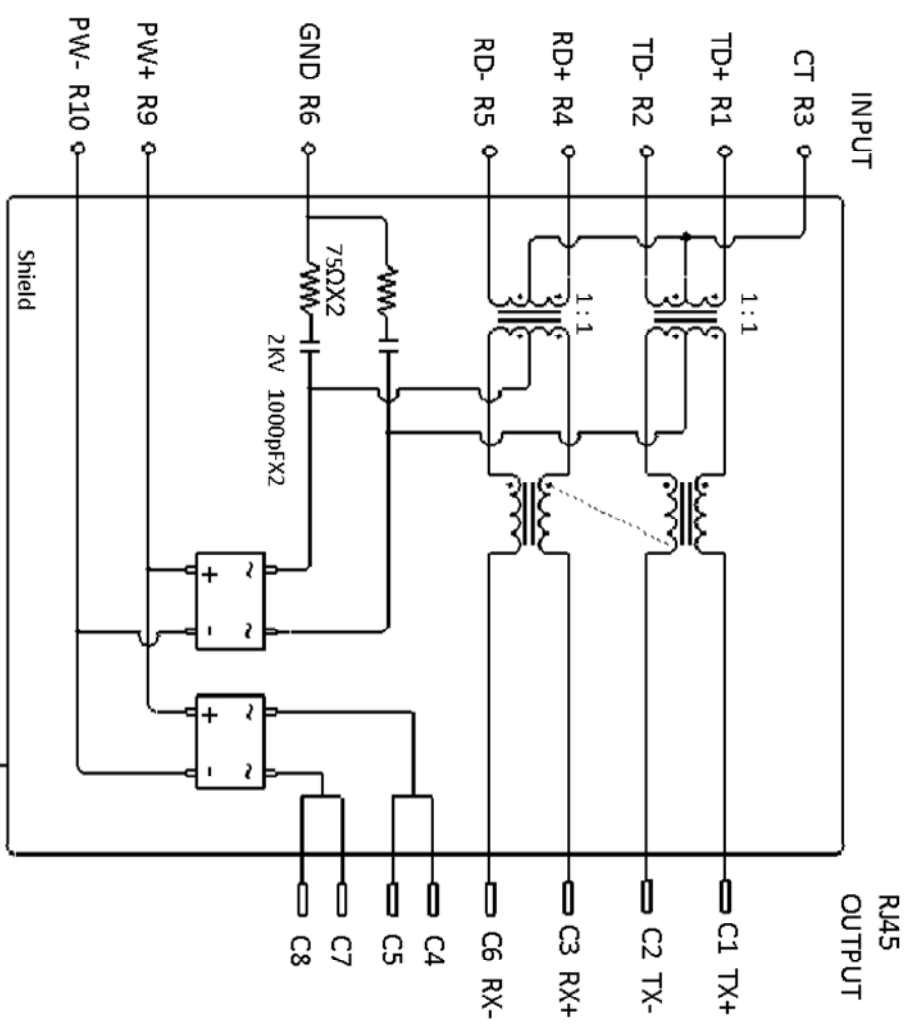


Rev	AWO #	Description	Date	Appr
		SEE SHT 1 OF 2 FOR REVISION		

APPROVED: \_\_\_\_\_

DATE: \_\_\_\_\_ TITLE: \_\_\_\_\_



**SPECIFICATIONS:**

Transmitter filter & Receiver filter  
 Type: Balance low pass 100Ω impedance  
 Insertion loss: 1~100MHz-1.0dB MAX.  
 Return loss: 1~30MHz-18dB MIN. load 100Ω  
 30~60MHz-16dB MIN. load 100Ω  
 60~80MHz-12dB MIN. load 100Ω

Common Mode Rejection  
 @1~100MHz-30dB MIN.  
 Cross Talk  
 @1~100MHz-30dB MIN.  
 INDUCTANCE@100KHz, 0.1V, 8mA DC BIAS  
 Input(R1-R2), Input(R4-R5): 350uH MIN.  
 HiPot TEST

Input(R1-R2) to Output(C1-C2): 1500 VDC, 60s or 2250Vdc 60s  
 Input(R4-R5) to Output(C3-C6): 1500 VDC, 60s or 2250Vdc 60s  
 Balanced DC line current  
 350mA max@57VDC continuous  
 500mA max@57VDC for 200 milliseconds

UNLESS OTHERWISE SPECIFIED  
 ALL DIMENSIONS ARE INCHES [MM]  
 TOLERANCES: EXCEPT AS NOTED

.X	±.10	Ø.X	±.10
.XX	±.020	Ø.XXX	±.015
.XXX	±.015	Ø.XXXX	±.010

APPROVALS

DRAWN	DY	DATE
CHECKED		
APPROVED		

**ADAM TECH**  
 909 Rahway Avenue, Union, NJ 07083  
 Phone: 908-687-5000 Fax: 908-687-5710

TITLE  
 MODULAR JACK GANGED, 1 PORT, 8P8C  
 W/ LED1 GREEN, LED2 YELLOW

SIZE	PART NO.	REV.
X	MTJ-88TX1-FSD-LHM106	-
REF: S00073T	SCALE: NTS	SHEET 2 OF 2