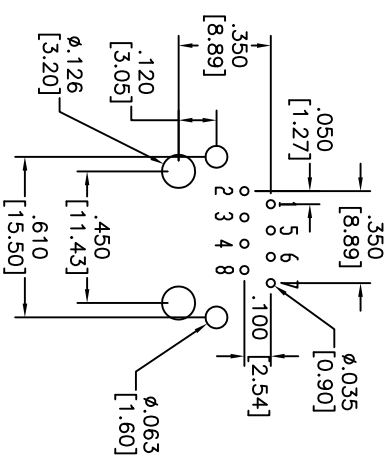
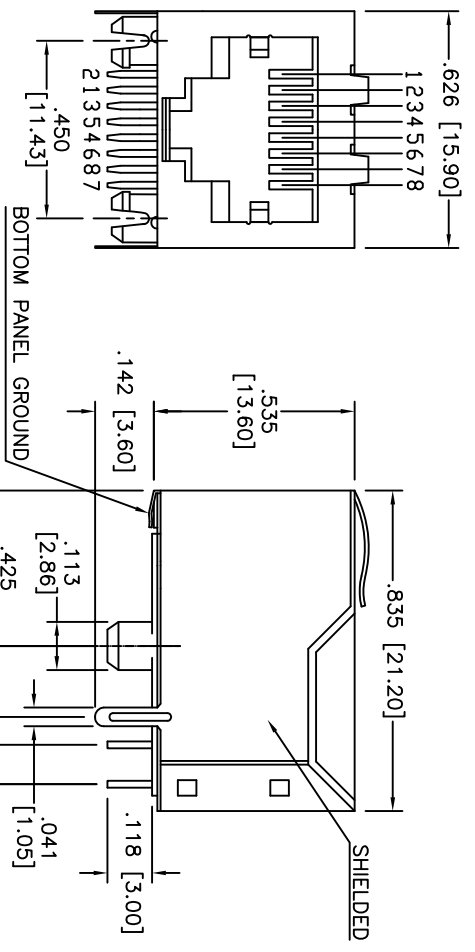
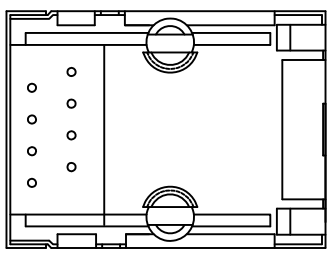


Rev	AWO #	Description	Date	Appr
-	9894	RELEASED	8/11/10	

APPROVED: \_\_\_\_\_  
 DATE: \_\_\_\_\_ TITLE: \_\_\_\_\_



RECOMMENDED PCB LAYOUT



**SPECIFICATIONS:**

**Material:**  
 Insulator: Nylon 46, rated UL 94V-0  
 Insulator color: Black  
 Contacts: Phosphor Bronze  
 Shield: Copper Alloy, Nickel plated  
**Plating:**  
 Gold flash over Nickel underplate on contact area,  
 Tin over copper underplate on solder tails.  
 (See chart for thickness)

X	PLATING
0	15 uin Gold
1	30 uin Gold
2	50 uin Gold

**Electrical:**  
 Operating voltage: 150 VAC max  
 Current rating: 1.5 Amps max  
 Contact resistance: 20 mohms max. initial  
 Insulation resistance: 1000 Mohms min  
 Dielectric withstanding voltage: 1,000 VAC for 1 minute  
**Temperature Rating:**  
 Operating temperature: -40°C to +85°C  
 Environmental:  
 Lead free, RoHS compliant.  
 Recommended soldering temp: 260°C for 5 sec.



**ADAM TECH**

909 Rahway Avenue, Union, NJ 07083  
 Phone: 908-687-5000 Fax: 908-687-5710

TITLE: MODULAR TELEPHONE JACK, 8P8C  
 RIGHT ANGLE, FULL SHIELD, CAT 5e

UNLESS OTHERWISE SPECIFIED ALL DIMENSIONS ARE INCHES [MM]	
TOLERANCES: EXCEPT AS NOTED	
.X	±.10
.XX	±.020
.XXX	±.015
Holes	
Ø.X	±.10
Ø.XXX	±.015
APPROVALS	
DRAWN	DY
CHECKED	
APPROVED	
DATE	8/11/10

SIZE	PART NO.	REV.
X	MTJ-88TX1-FSD-PG-C5E	
REF:	S00065T	
SCALE:	NTS	
SHEET	1 OF 1	