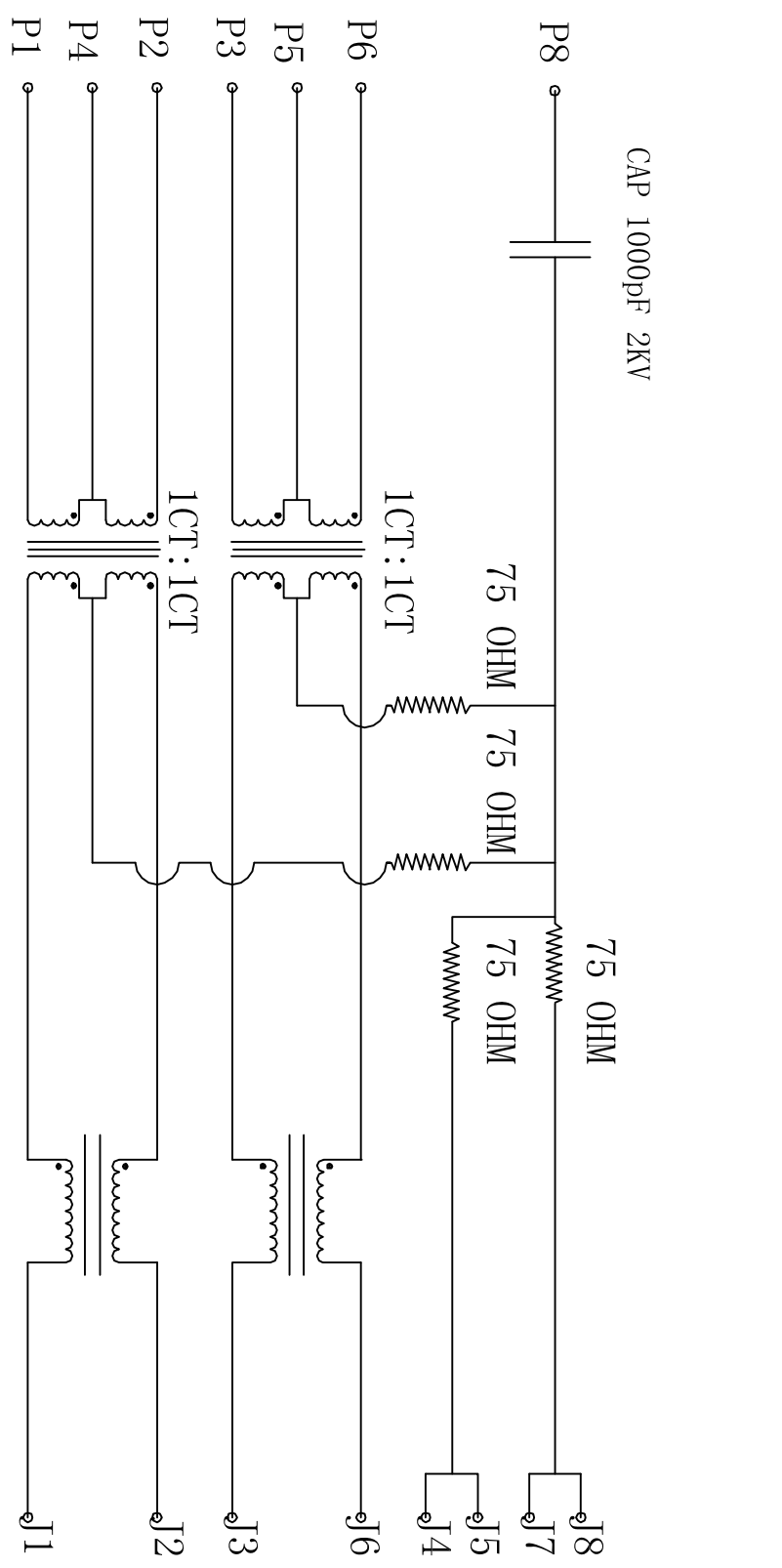


Rev	AWO #	Description	Date	Appr
		SEE SHT 1 OF 2 FOR REVISION		

APPROVED: _____

DATE: _____ TITLE: _____



ELECTRICAL SPECIFICATIONS:

- Turns Ratio: (P1 ~ P2) : (J1 ~ J2) 1:1 ±3%
(P3 ~ P6) : (J3 ~ J6) 1:1 ±3%
- Inductance: (P1 ~ P2): 350uH min @ 0.1V, 100KHZ, 8mA DC BIAS
(P3 ~ P6): 350uH min @ 0.1V, 100KHZ, 8mA DC BIAS
- Leakage Inductance: P1 ~ P2 (with J1 and J2 Short): 0.3uH Max. @ 1 MHz
P3 ~ P6 (with J3 and J6 Short): 0.3uH Max. @ 1 MHz
- Interwinding Capacitance: (P1 ~ P2) : (J1 ~ J2): 30pF max. @ 1MHz
(P3 ~ P6) : (J3 ~ J6): 30pF max @ 1MHz
- DC Resistance: (J1 ~ J2) : (J3 ~ J6): 1.2 Ohms Max.
- Return Loss: 1MHz to 30MHz: -18dB min
30MHz to 60MHz: -(18-20log(f/30))dB min (WHERE f IS IN MHZ)
60MHz to 80MHz: -12dB min
- Dielectric Withstand: (P1~P2) : (J1~J2): (P3~P6) : (J3~J6) : 1500VAC or 2250VDC
- Insertion Loss: 100KHZ to 100MHZ: -1.2dB MAX.
- Cross Talk: 1MHZ to 100MHZ: -35dB Typ.
- Common to Common mode Attenuation 30MHZ to 100MHZ: -30dB Typ.

UNLESS OTHERWISE SPECIFIED
ALL DIMENSIONS ARE IN INCHES [MM]

TOLERANCES: EXCEPT AS NOTED

INCHES	Holes
.X	±.10
.XX	±.020
.XXX	±.015
.XXX	±.015

ADAM TECH

909 Ratway Avenue, Union, NJ 07083
Phone: 908-687-5000 Fax: 908-687-5710

TITLE: MODULAR JACK GANGED, 1 PORT, 8P8C
SMT TYPE

APPROVALS	DATE
DRAWN	DY
CHECKED	
APPROVED	

SIZE	PART NO.	REV.
X	MTJ-88TX1-FS-M4-SMT	-
REF:	S00005C	SCALE: NTS
		SHEET 2 OF 2