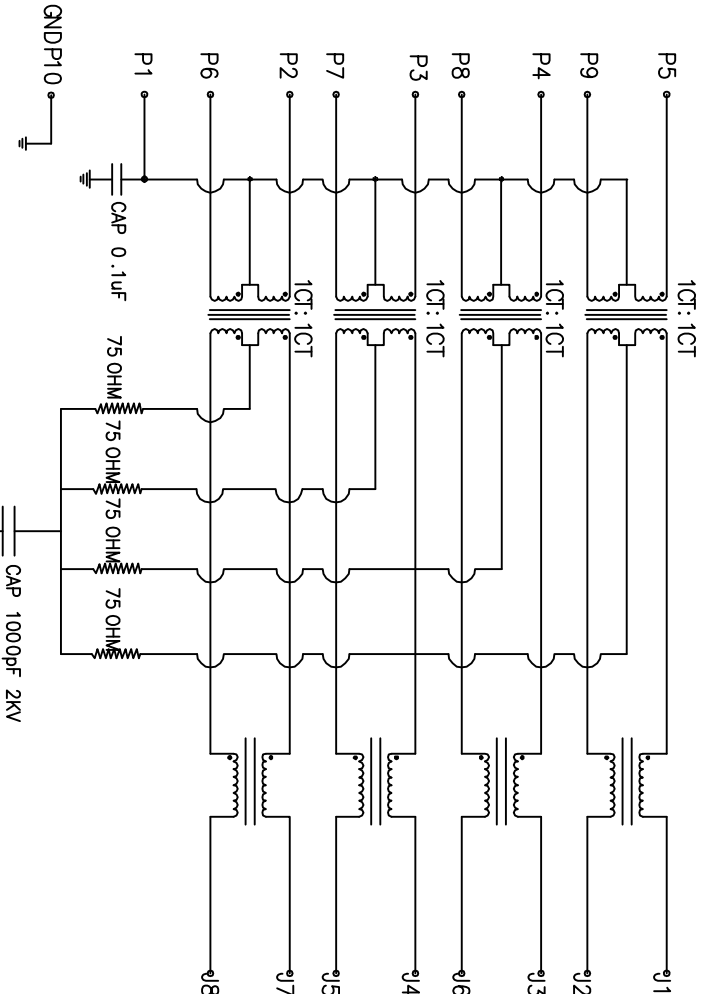


Rev	AWO #	Description	Date	Appr
		SEE SHT 1 OF 2 FOR REVISION		

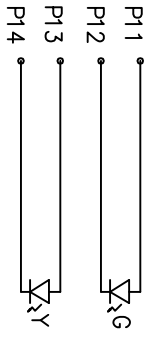
APPROVED: _____

DATE: _____ TITLE: _____



ELECTRICAL SPECIFICATIONS:

- Turns Ratio: (P5 ~ P9) : (J1 ~ J2) 1:1 ±3%
 (P4 ~ P8) : (J3 ~ J6) 1:1 ±3%
 (P3 ~ P7) : (J4 ~ J5) 1:1 ±3%
 (P2 ~ P6) : (J7 ~ J8) 1:1 ±3%
- Inductance: (P5~P9): 350uH MIN @ 0.1V, 100KHZ, 8mA DC BIAS
 (P4~P8): 350uH MIN @ 0.1V, 100KHZ, 8mA DC BIAS
 (P3~P7): 350uH MIN @ 0.1V, 100KHZ, 8mA DC BIAS
 (P2~P6): 350uH MIN @ 0.1V, 100KHZ, 8mA DC BIAS
- Leakage Inductance: P5 ~ P9 (with J1 and J2 Short): 0.35uH MAX @ 1 MHZ
 P4 ~ P8 (with J3 and J6 Short): 0.35uH MAX @ 1 MHZ
 P3 ~ P7 (with J4 and J5 Short): 0.35uH MAX @ 1 MHZ
 P2 ~ P6 (with J7 and J8 Short): 0.35uH MAX. @ 1 MHZ
- Interwinding Capacitor: (P5 ~ P9) : (J1 ~ J2): 115pF MAX @ 1MHZ
 (P4 ~ P8) : (J3 ~ J6): 115pF MAX @ 1MHZ
 (P3 ~ P7) : (J4 ~ J5): 115pF MAX @ 1MHZ
 (P2 ~ P6) : (J7 ~ J8): 115pF MAX @ 1MHZ
- DC Resistance: (J1 ~ J2) : (J3 ~ J6) : (J7 ~ J8): 1.2 OHMS MAX
 (P5~P9) : (J1~J2) : (P4~P8) : (J3~J6) :1500VAC OR 2250VDC
 (P3~P7) : (J4~J5) : (P2~P6) : (J7~J8) :1500VAC OR 2250VDC
- Insertion Loss: 0.5MHZ to 100MHZ: -1.2dB MAX
- Return Loss: 0.5MHZ to 40MHZ: -(12-20)LOG(f/80)dB MIN (WHERE f IS IN MHZ)
 40.1MHZ to 100MHZ: -35dB MIN
- Cross Talk: 0.5MHZ to 40MHZ: -35dB MIN
 40.1MHZ to 100MHZ: -(33-20)LOG(f/50)dB MIN (WHERE f IS IN MHZ)
- Common to Common mode Attenuation: 0.5MHZ to 100MHZ: -30dB MIN



UNLESS OTHERWISE SPECIFIED
 ALL DIMENSIONS ARE INCHES [MM]
 TOLERANCES: EXCEPT AS NOTED

.X	± .10	Ø.X	HOLES	± .10
.XX	± .020	Ø.XXX		± .015
.XXX	± .015	Ø.XXX		± .010

ADAM TECH
 909 Rahway Avenue, Union, NJ 07083
 Phone: 908-687-5000 Fax: 908-687-5710

MODULAR JACK GANGED, 1 PORT, 8P8C
 W/LED1 YELLOW, LED2 GREEN

DRAWN	DY	DATE	12/22/09
CHECKED			
APPROVED			

SIZE	PART NO.	REV.
X	MTJ-88TVX1-FSJ-LG-M84	B

REF:	SCALE:	SHEET
S00005C	NTS	2 OF 2