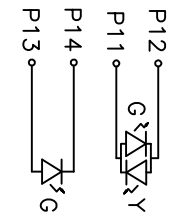
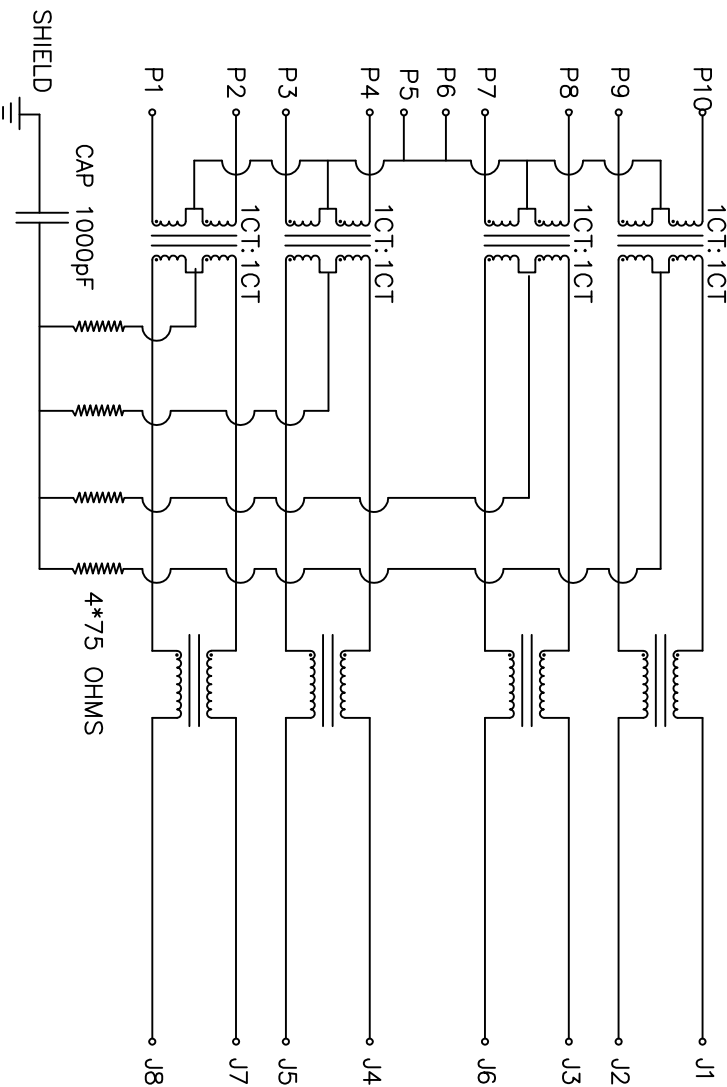


Rev	AWO #	Description	Date	Appr
		SEE SHT 1 OF 2 FOR REVISION		

APPROVED: _____

DATE: _____ TITLE: _____



Pin	Green	Yellow	Pin	Green
P11	+	-	P13	+
P12	-	+	P14	-

ELECTRICAL SPECIFICATIONS:

- Turns Ratio @100KHz: (P10 ~ P9) : (J1 ~ J2) 1:1 ±5%
(P8 ~ P7) : (J3 ~ J6) 1:1 ±5%
(P4 ~ P3) : (J4 ~ J5) 1:1 ±5%
(P2 ~ P1) : (J7 ~ J8) 1:1 ±5%
- DC Resistance: 350uH min @100KHz ,0.1V 8mA DC Bias
- Primary Inductance: 1.2 Ohms MAX
- Insertion Loss: 1-100MHz : -1.2dB MIN
100-125MHz : -1.0dB MIN
125-150MHz : -1.0dB MAX
150-200MHz : -1.2dB MAX
- Return Loss: 1-40MHz: -16dB MAX
30-60MHz: -12dB MAX
60-80MHz: -10dB MAX
80-100MHz: -8dB MAX
- Cross Talk: 1-100MHz: -30dB MAX
Common to Common mode Attenuation: 1-100MHz -30dB Typ.
- Common to PHY Side to Line Side : 2250VDC

ADAM TECH

909 Rahway Avenue, Union, NJ 07083
Phone: 908-687-5000 Fax: 908-687-5710

MODULAR JACK GANGED, 1 PORT, 8P8C
W/LED1 GREEN, LED2 YELLOW/GREEN

UNLESS OTHERWISE SPECIFIED	
ALL DIMENSIONS ARE IN INCHES [MM]	
TOLERANCES: EXCEPT AS NOTED	
.X ±.10	ØX ±.10
.XX ±.020	ØXX ±.015
.XXX ±.015	ØXXX ±.010
APPROVALS	DATE
DRAWN	DY
CHECKED	
APPROVED	

TITLE	SIZE	PART NO.	REV.
MODULAR JACK GANGED, 1 PORT, 8P8C W/LED1 GREEN, LED2 YELLOW/GREEN	X	MTJ-88TUX1-FSD-PG-VLVM21	-
REF:	SCALE:	NTS	SHEET 2 OF 2