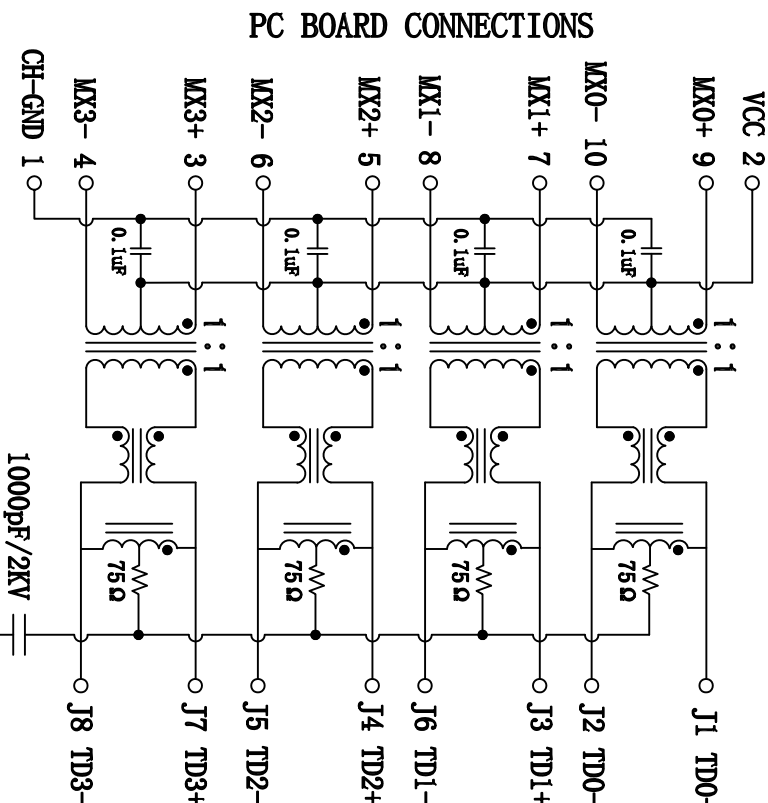


Rev	AWO #	Description	Date	Appr
		SEE SHT 1 OF 2 FOR REVISION		

APPROVED: _____

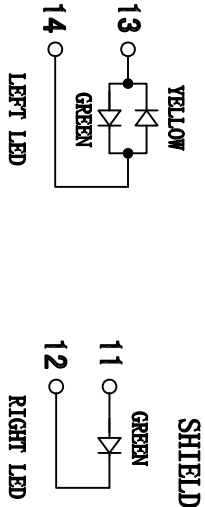
DATE: _____ TITLE: _____



RJ45 CONNECTOR

SPECIFICATIONS:

1. Impedance: 100 ohms
2. OCL: 350uH Min@ 100KHz, 0.1Vrms, 8mADC BIAS
3. Turns Ratio: TX=1:1 RX=1:1
4. Return Loss (dB Min): 0.5-40MHz:-18
- 40.1-100MHz:-12-20LOG(f/50)
- 5 Crosstalk(dB Min): 0.5-40MHz:-35
- 40.1-100MHz:-35-20LOG(f/50)
6. Insulation Loss: 0.5-100MHz:-1.1dB Max
7. Common Mode Rejection Ratio: 0.5-100MHz:-30dB Min
8. Isolation Voltage: 1500V



UNLESS OTHERWISE SPECIFIED	
ALL DIMENSIONS ARE IN INCHES [MM]	
TOLERANCES: EXCEPT AS NOTED	
INCHES	HOLES
.X ± .10	Ø.X ± .10
.XX ± .020	Ø.XXX ± .015
.XXX ± .015	Ø.XXX ± .010
APPROVALS	DATE
DRAWN	DY
CHECKED	
APPROVED	

ADAM TECH

909 Rahway Avenue, Union, NJ 07083
 Phone: 908-687-5000 Fax: 908-687-5710

TITLE: MODULAR JACK GANGED, 1PORT, 8P8C
 W/LED1 GREEN/YELLOW, LED2 GREEN

SIZE	PART NO.	REV.
X	MTJ-88TUX1-FSD-PG-VLU-M107	
REF: S00043C	SCALE: NTS	SHEET 2 OF 2