

6

5

4

3

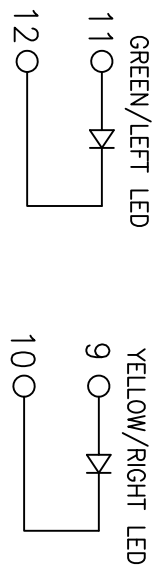
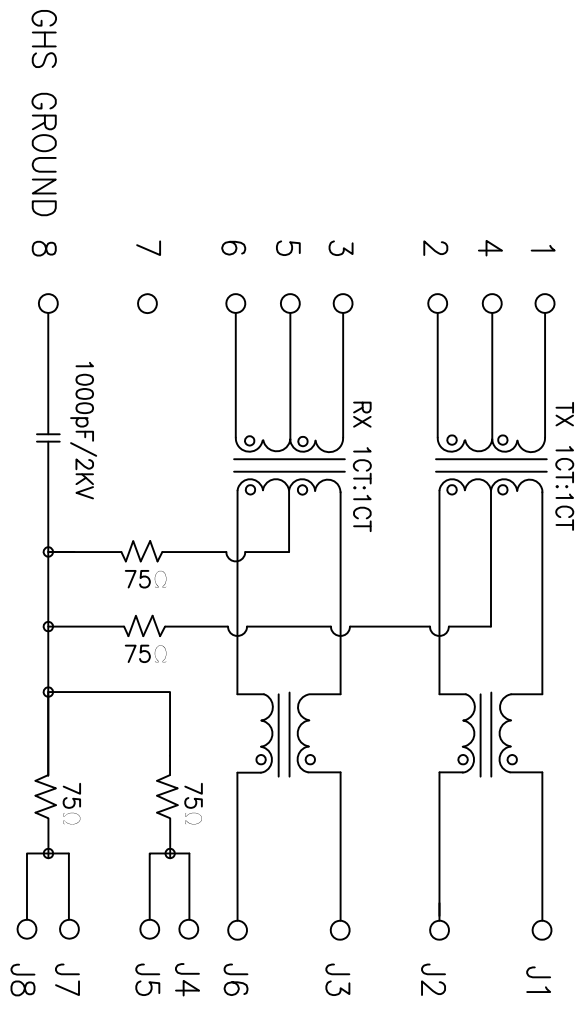
2

1

Rev	AWO #	Description	Date	Appr
		SEE SHT 1 OF 2 FOR REVISION		

APPROVED: _____

DATE: _____ TITLE: _____



SPECIFICATIONS:

1. Turn Ratio: ($\pm 2\%$)
TX=1CT:1CT RX=1CT:1CT
2. Inductance OCL: 350uH Min with 8mA bias current
3. Insertion Loss:
-1.2dB Max@0.3-65MHz
4. Return Loss(dB Min):
1-30MHz:-18dB 40MHz:-16dB
50MHz:-14dB 60-80MHz:-12dB
5. Crosstalk:
0.3-80MHz:-30dB Min
6. Common Mode Rejection:
1-150MHz: -50dB Min
7. Isolation Voltage: 1500V

UNLESS OTHERWISE SPECIFIED
ALL DIMENSIONS ARE INCHES [MM]
TOLERANCES: EXCEPT AS NOTED

.X	$\pm .10$	$\varnothing .X$	$\pm .10$
.XX	$\pm .020$	$\varnothing .XX$	$\pm .015$
.XXX	$\pm .015$	$\varnothing .XXX$	$\pm .010$

HOLDING DIMENSIONS ARE NOTED
HOLDING DIMENSIONS ARE NOTED

APPROVALS	DATE
DRAWN	DY
CHECKED	
APPROVED	

ADAM TECH
909 Ratway Avenue, Union, NJ 07083
Phone: 908-687-5000 Fax: 908-687-5710

TITLE: MODULAR JACK GANGED, 1PORT, 8P8C
W/LED1 GREEN, LED2 YELLOW

SIZE	PART NO.	REV.
X	MTJ-88TUX1-FSD-PG-VLHM4	
REF: S00043C	SCALE: NTS	SHEET 2 OF 2

6

5

4

3

2

1