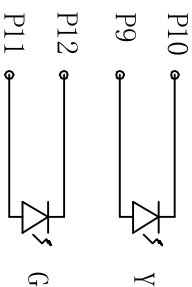
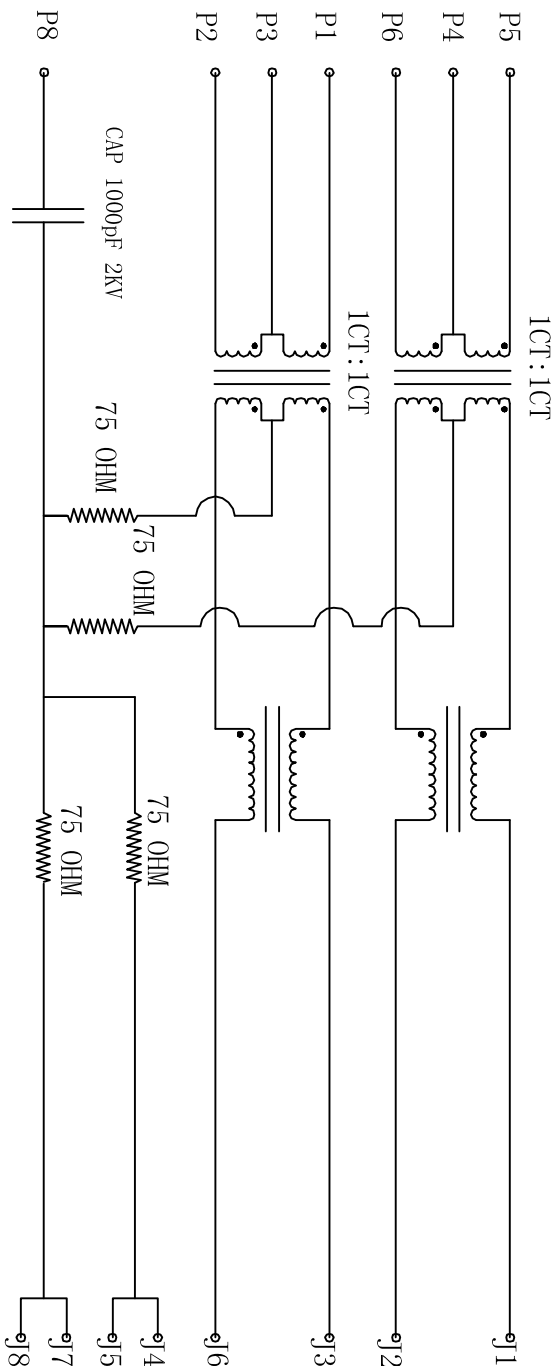


Rev	AWO #	Description	Date	Appr
		SEE SHT 1 OF 2 FOR REVISION		

APPROVED: _____

DATE: _____ TITLE: _____



ELECTRICAL SPECIFICATIONS

- Turns Ratio: (P5 ~ P6) : (J1 ~ J2) :1:1 ±3%
- Inductance: (P5 ~ P6) 350uH min. @ 0.1V, 100KHZ, 8mA DC Bias (P1 ~ P2) 350uH min. @ 0.1V, 100KHZ, 8mA DC Bias
- Leakage Inductance: P5 ~ P6 (with J1 and J2 Short): 0.3uH Max. @ 1 MHz P1 ~ P2 (with J3 and J6 Short): 35pF max. @ 1 MHz
- Interwinding Capacitor: (P5 ~ P6) : (J1 ~ J2): 35pF max @ 1MHz (P1 ~ P2) : (J3 ~ J6): 1.2 Ohms Max.
- DC Resistance: (J1 ~ J2) : (J3 ~ J6): -12dB MIN 30MHz to 80MHz: -18dB MIN
- Return Loss: 1MHz to 30MHz: -12dB MIN 30MHz to 80MHz: (P1~P2) : (J1~J2):1500VAC
- Dielectric Withstanding: (P5~P6) : (J1~J2):1500VAC (P1~P2) : (J3~J6):1500VAC
- Insertion Loss: RS=RL=100OHM to 100KHZ to 80MHz: -1.2dB MAX
- Cross Talk: 1MHZ to 100MHZ: -35dB TYP
- Common to Common mode Attenuation: 30MHz to 100MHz: -30dB TYP

UNLESS OTHERWISE SPECIFIED
ALL DIMENSIONS ARE INCHES. [MM]

TOLERANCES: EXCEPT AS NOTED

.X	± .10	Ø.X	± .10
.XX	± .020	Ø.XX	± .015
.XXX	± .015	Ø.XXX	± .010

APPROVALS

DRAWN	DY	DATE
		6/22/10

ADAM TECH
909 Rahway Avenue, Union, NJ 07083
Phone: 908-687-5000 Fax: 908-687-5710

MODULAR JACK GANGED, 1 PORT, 8P8C
W/LED1 GREEN, LED2 YELLOW

CHECKED		SIZE	PART NO.	REV.
APPROVED		X	MTJ-88TUX1-FSD-PG-VLHM13	
		REF:	S00005C	
		SCALE:	NTS	SHEET 2 OF 2