

6

5

4

3

2

1

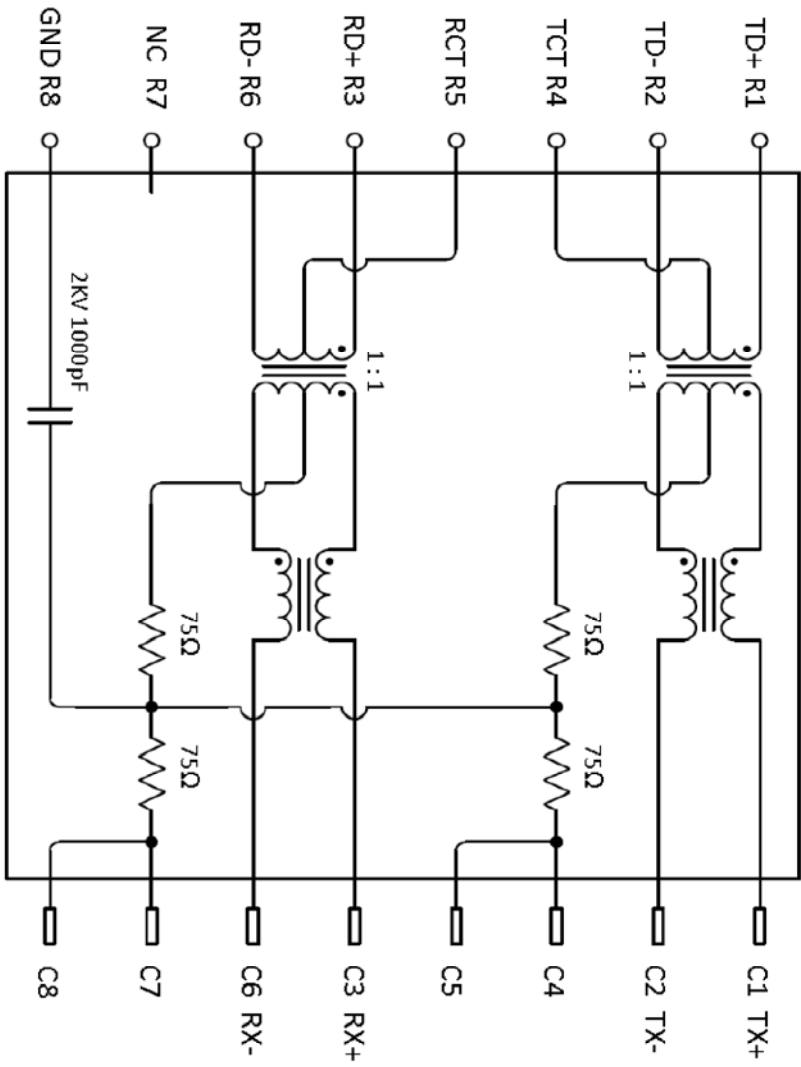
Rev	AWO #	Description	Date	Appr
		SEE SHT 1 OF 2 FOR REVISION		

APPROVED: \_\_\_\_\_

DATE: \_\_\_\_\_ TITLE: \_\_\_\_\_

INPUT

RJ45  
OUTPUT



**SPECIFICATIONS:**

Transmitter filter & Receiver filter

Type : Balance low pass 100Ω impedance

Insertion loss : 1~100 MHz -1.0dB MAX.

Return loss : 1~30 MHz -18dB MIN. load 100Ω

30~60 MHz -16dB MIN. load 100Ω

60~80 MHz -12dB MIN. load 100Ω

Common Mode Rejection

@ 1~100 MHz -30dB MIN.

Cross Talk

@ 1~100 MHz -30dB MIN.

INDUCTANCE @ 100KHz, 0.1V, 8mA DC BIAS

Input(R1-R2), Input(R3-R6) : 350uH MIN.

HiPot TEST

Input(R1-R2) to Output(C1-C2) : 1500VAC, 60sec or 2250VDC, 60sec

Input(R3-R6) to Output(C3-C6) : 1500VAC, 60sec or 2250VDC, 60sec

UNLESS OTHERWISE SPECIFIED	
ALL DIMENSIONS ARE INCHES [MM]	
TOLERANCES: EXCEPT AS NOTED	
INCHES	HOLES
.X ± .10	Ø.X ± .10
.XX ± .020	Ø.XX ± .015
.XXX ± .015	Ø.XXX ± .010
APPROVALS	DATE
DRAWN	DY
CHECKED	
APPROVED	6/23/10

**ADAM TECH**  
 909 Rahway Avenue, Union, NJ 07083  
 Phone: 908-687-5000 Fax: 908-687-5710

MODULAR JACK GANGED, 1 PORT, 8P8C  
 W/ LED1 GREEN, LED2 GREEN

SIZE	PART NO.	REV.
X	MTJ-88TUX1-FSD-PG-VLD-M4	
REF:	S00073T	SCALE: NTS
		SHEET 2 OF 2

6

5

4

3

2

1