

6

5

4

3

2

1

APPROVED: \_\_\_\_\_

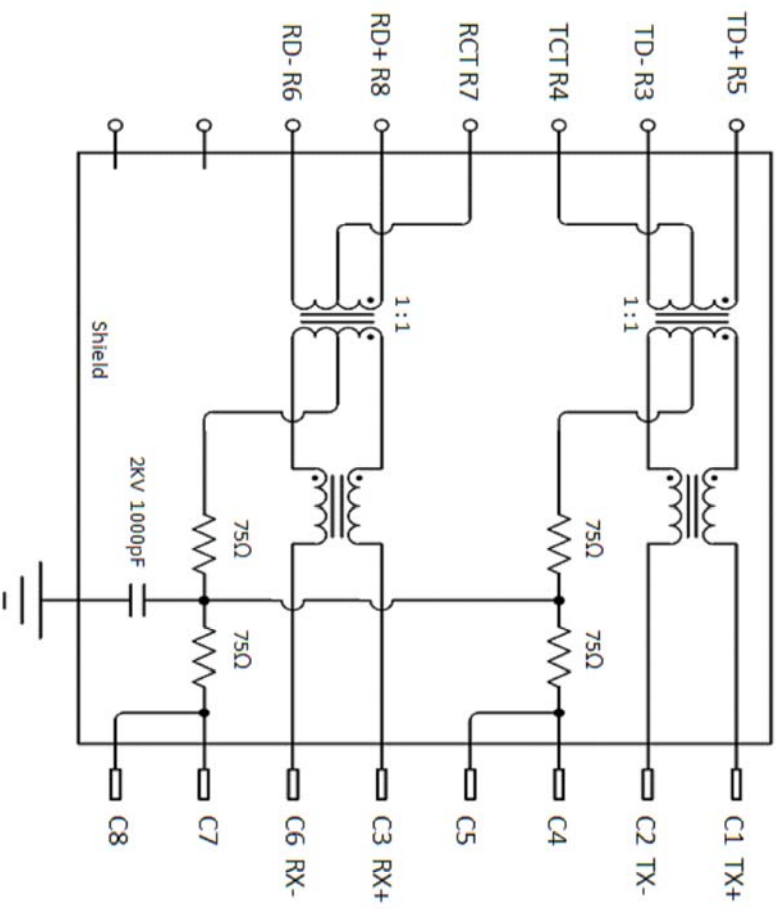
DATE: \_\_\_\_\_ TITLE: \_\_\_\_\_

Rev	AWO #	Description	Date	Appr
		SEE SHT 1 OF 2 FOR REVISION		

D

INPUT

OUTPUT  
R145



C

B

**SPECIFICATIONS:**

Transmitter filter & Receiver filter

Type : Balance low pass 100Ω Impedance

Insertion loss : 1~30 MHz -1.0dB MAX.

Return loss : 1~30 MHz -18dB MIN. load 100Ω

30~60 MHz -16dB MIN. load 100Ω

60~80 MHz -12dB MIN. load 100Ω

Common Mode Rejection

@ 1~100 MHz -30dB MIN.

Cross Talk

@ 1~100 MHz -30dB MIN

INDUCTANCE @ 100KHz, 0.1V, 8mA DC BIAS

Hipot TEST

Input(R5-R3) to Output(C1-C2) : 1500VAC, 60sec or 2250VDC, 60sec

Input(R8-R6) to Output(C3-C6) : 1500VAC, 60sec or 2250VDC, 60sec

6

5

4

3

2

1

UNLESS OTHERWISE SPECIFIED  
ALL DIMENSIONS ARE INCHES [MM]  
TOLERANCES: EXCEPT AS NOTED

.X	± .10	Ø.X	± .10
.XX	± .020	Ø.XXX	± .015
.XXX	± .015	Ø.XXXX	± .010

APPROVALS

DRAWN	DY	DATE
		11/08/10

**ADAM TECH**  
 909 Rahway Avenue, Union, NJ 07083  
 Phone: 908-687-5000 Fax: 908-687-5710

**MODULAR JACK GANGED, 1 PORT, 8P8C  
 W/ LED1 GREEN, LED2 GREEN**

CHECKED	
APPROVED	

SIZE	PART NO.	REV.
X	MTJ-88TUX1-FSD-PG-LD-M126	-
REF:	S00073T	SCALE: NTS
		SHEET 2 OF 2