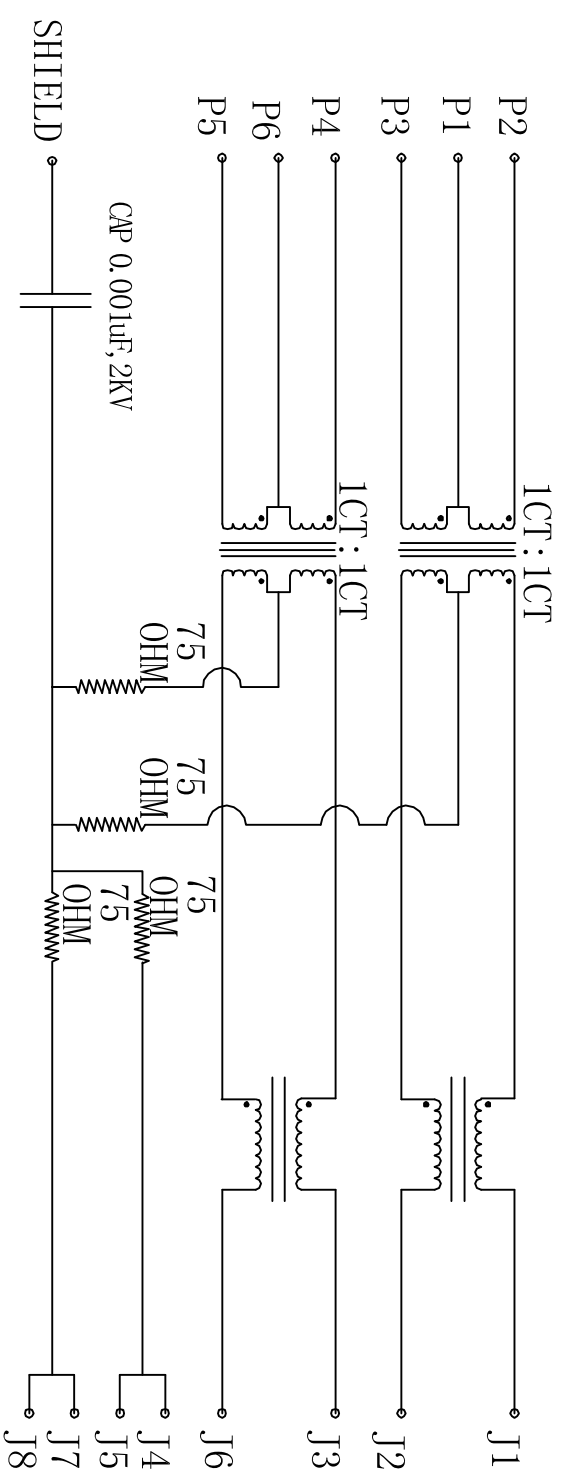


Rev	AWO #	Description	Date	Appr
		SEE SHT 1 OF 2 FOR REVISION		

APPROVED: _____

DATE: _____ TITLE: _____



ELECTRICAL SPECIFICATIONS:

- Turns Ratio: (J1 ~ J2) 1:1 ±3%
(P4 ~ P5) : (J3 ~ J6) 1:1 ±3%
- Inductance: (P2 ~ P3) 350uH min. @ 0.1V, 100KHZ, 8mA DC Bias
(P4 ~ P5) 350uH min. @ 0.1V, 100KHZ, 8mA DC Bias
- Leakage Inductance: P2 ~ P3 (with J1 and J2 Short): 0.3uH Max. @ 1 MHZ
P4 ~ P5 (with J3 and J6 Short): 0.3uH Max. @ 1 MHZ
- Interwinding Capacitor: (P2 ~ P3) : (J1 ~ J2): 35pf max @ 1MHZ
(P4 ~ P5) : (J3 ~ J6): 35pf max @ 1MHZ
- DC Resistance: (J1 ~ J2) : (J3 ~ J6): 1.2 Ohms Max.
- Return Loss: 1MHZ to 30MHZ: -18dB min / 30MHZ to 80MHZ: -12dB min
- Dielectric Withstanding: (P2~P3) : (J1~J2): (P4~P5) : (J3~J6) : 1500V AC
- Insertion Loss: RS=RL=100OHM : 100KHZ TO 80MHZ : -1.2dB Min.
- Cross Talk: 1MHZ to 100MHZ: 35dB Typ.
- Common to Common mode Attenuation 30MHZ to 100MHZ: 30dB Typ.

UNLESS OTHERWISE SPECIFIED
ALL DIMENSIONS ARE INCHES [MM]
TOLERANCES: EXCEPT AS NOTED

.X	± .10	Ø.X	± .10
.XX	± .020	Ø.XXX	± .015
.XXX	± .015	Ø.XXX	± .010

APPROVALS

DRAWN	DY	DATE
CHECKED		
APPROVED		

ADAM TECH
909 Rahway Avenue, Union, NJ 07083
Phone: 908-687-5000 Fax: 908-687-5710

TITLE: MODULAR JACK GANGED, 1 PORT, 8P8C
W/ LED1 ORANGE/GREEN, LED2 YELLOW

SIZE	PART NO.	REV.
X	MTJ-88SX1-FSP-PG-LL-M41	
REF: 800086	SCALE: NTS	SHEET 2 OF 2