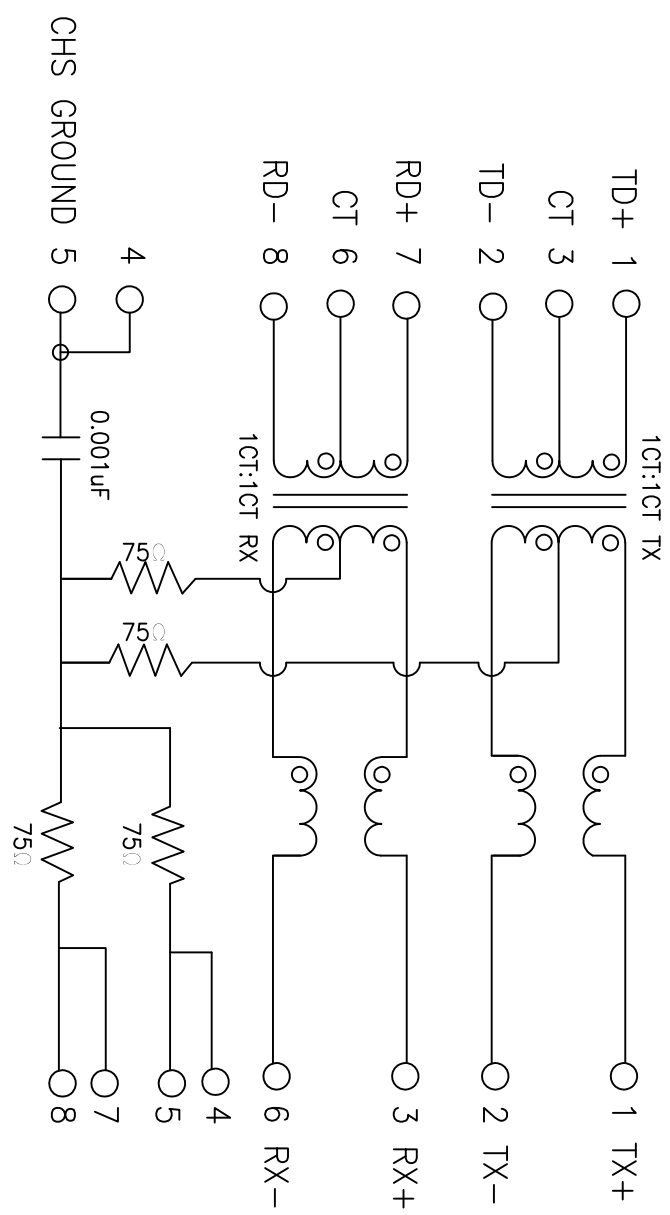


Rev	AWO #	Description	Date	Appr
		SEE SHT 1 OF 2 FOR REVISION		

APPROVED: _____

DATE: _____ TITLE: _____



SPECIFICATIONS:

1. TR: (100KHZ, 0.1V)

TX=1CT:1CT ±3% RX=1CT:1CT ±3%

LX:(100KHZ, 100mV, 8mA, DC Bias)

PINS:(P1,P2),(P7,P8)=350uH MIN

3. HIPOT:

PINS(P1,P3,P2)TO(J1,J2)=1500VAC FOR 60 SECONDS

PINS(P7,P6,P8)TO(J3,J6)=1500VAC FOR 60 SECONDS

4. INSERTION LOSS:

-1.0DB MAX @ 1.0 MHz to 65MHz

5. RETURN LOSS:

-20DB MIN @ 1MHz TO 10MHz

-16DB MIN @ 10MHz TO 30MHz

-12DB MIN @ 30MHz TO 60MHz

-10DB MIN @ 60MHz TO 100MHz

6. CROSS TALK:

-40DB MIN @ 1MHz TO 30MHz

-35DB MIN @ 30MHz TO 60MHz

-30DB MIN @ 60MHz TO 100MHz

7. COMMON TO COMMON MODE REJECTION:

-30DB MIN @ 1MHz TO 50MHz

-20DB MIN @ 50MHz TO 150MHz

UNLESS OTHERWISE SPECIFIED
ALL DIMENSIONS ARE INCHES [MM]
TOLERANCES: EXCEPT AS NOTED

.X	± .10	Ø.X	± .10
.XX	± .020	Ø.XXX	± .015
.XXX	± .015	Ø.XXX	± .010

APPROVALS

DRAWN	DY	DATE
		5/24/10

ADAM TECH
909 Rahway Avenue, Union, NJ 07083
Phone: 908-687-5000 Fax: 908-687-5710

TITLE: MODULAR JACK GANGED, 8P8C
W/LED1 GREEN, LED2 YELLOW

SIZE	PART NO.	REV.
X	MTJ-88SX1-FSD-PG-LH-M96	-
REF:	S00043C	SCALE: NTS
		SHEET 2 OF 2