

6

5

4

3

2

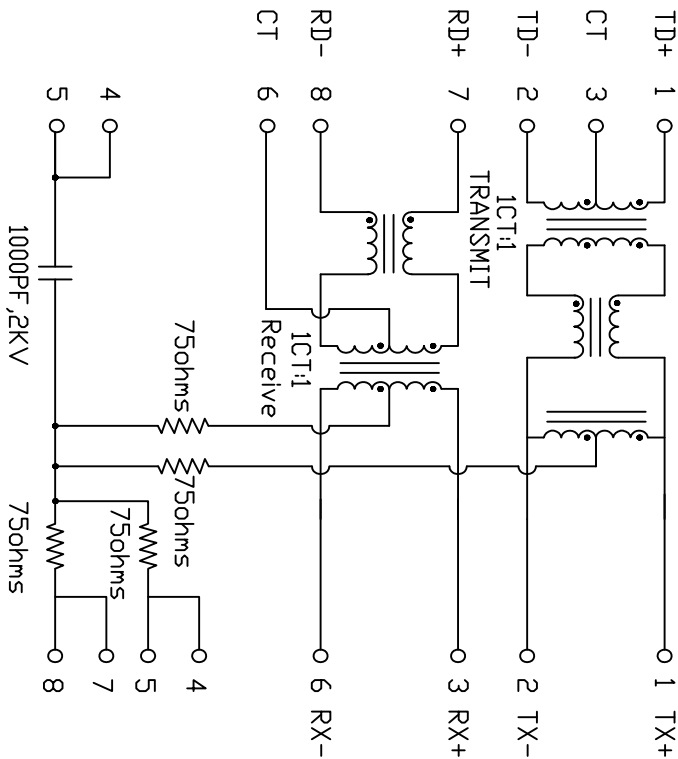
1

Rev	AWO #	Description	Date	Appr
		SEE SHT 1 OF 2 FOR REVISION		

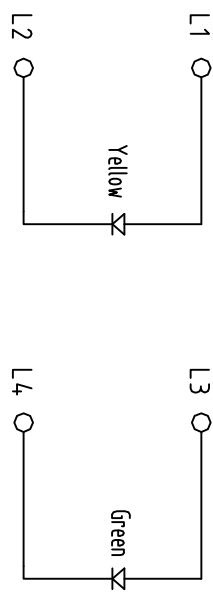
APPROVED: _____

DATE: _____ TITLE: _____

PCB SIDE TO PHY



CABLE SIDE



ELECTRICAL SPECIFICATIONS:

- Turns Ratio: TP1-2 1CT:1CT(±3%)
- Primary Inductance: 350uH Min. @100KHz, 0.1Vrms, 8mADC BIAS
- Hi-POT TEST: TP1-2 1500Vrms
- TRANSMITTER FILTER
Type: Balance Low Pass 100 Ohm Impedance Nom
Insertion Loss: 0.5~100MHz 1.0dB MAX.
Return Loss: 0.5~40MHz 16dB MIN
40~100MHz 10~20LOG(f/80)dB MIN
- Cross Talk: 0.5~40MHz 35dB MIN.
40~100MHz 33~20LOG(f/50)dB MIN
- CM TO CM REJECTION:
0.5~100MHz 30dB MIN.

UNLESS OTHERWISE SPECIFIED ALL DIMENSIONS ARE INCHES [MM]	
TOLERANCES: EXCEPT AS NOTED	
.X INCHES	Ø: X HOLES
± .10	± .10
.XX ± .020	Ø: XXX ± .015
.XXX ± .015	Ø: XXX ± .010
APPROVALS	DATE
DRAWN	DY
CHECKED	
APPROVED	7/13/11

ADAM TECH
 909 Rahway Avenue, Union, NJ 07083
 Phone: 908-687-5000 Fax: 908-687-5710

TITLE: MODULAR JACK GANGED, 1 PORT, 8P8C
 W/LED1 YELLOW, LED2 GREEN

SIZE	PART NO.	REV.
X	MTJ-88SX1-FSD-PG-LG-M8-HT-A	-
REF: 800/87T	SCALE: NTS	SHEET 2 OF 2

6

5

4

3

2

1