

6

5

4

3

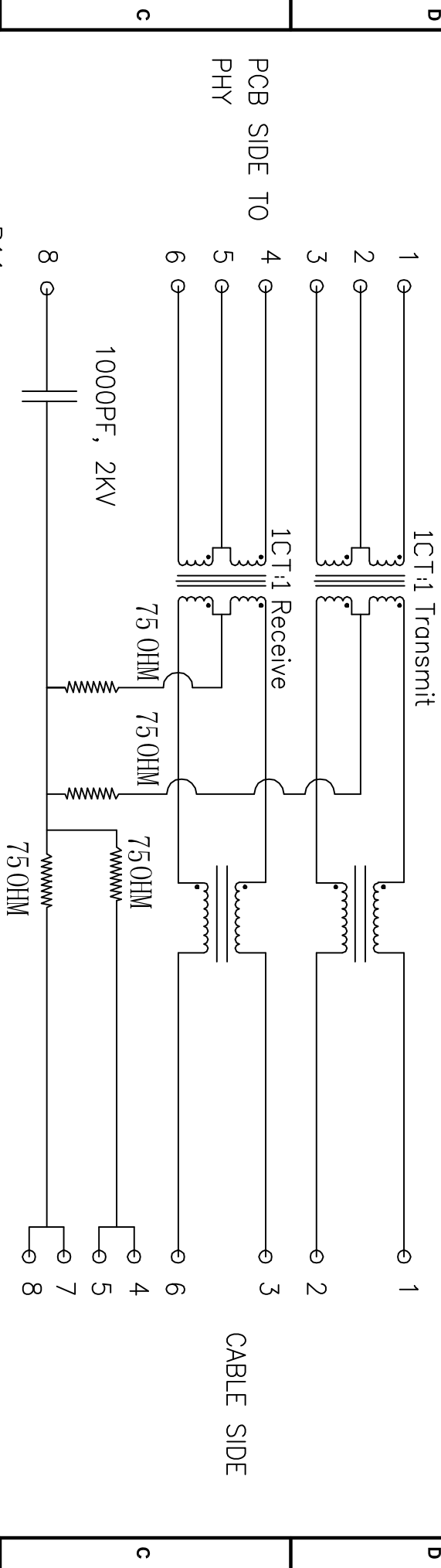
2

1

| | | | | |
|-----|-------|-----------------------------|------|------|
| Rev | AWO # | Description | Date | Appr |
| | | SEE SHT 1 OF 2 FOR REVISION | | |

APPROVED: _____

DATE: _____ TITLE: _____



ELECTRICAL SPECIFICATIONS

1. Turns Ratio: TP1-2 1CT:1CT(±3%)
2. Primary Inductance: 350uH min. @ 0.1V, 100KHZ, 8mA DC Bias
3. HI-POI TEST: TP1-2 1500Vrms
4. TRANSMITTER FILTER

Type: Balance Low Pass 100 Ohm Impedance Norm
 Insertion Loss: 0.5~100MHz 1.1dB MAX
 Return Loss: 0.5~40MHz 18dB MIN
 40~80MHz 12~20LOG(f/80)dB MIN

Cross Talk: 0.5MHz~40MHz: 35dB MIN
 40MHz~100MHz: 33~20LOG(f/50)dB MIN
 CM to CM REJECTION: 0.5MHz~100MHz: 30dB MIN

| | |
|--|--------------|
| UNLESS OTHERWISE SPECIFIED ALL DIMENSIONS ARE INCHES [MM] | |
| TOLERANCES: EXCEPT AS NOTED | |
| INCHES | HOLES |
| .X ± .10 | Ø.X ± .10 |
| .XX ± .020 | Ø.XXX ± .015 |
| .XXX ± .015 | Ø.XXX ± .010 |
| APPROVALS | |
| DRAWN | AY |
| CHECKED | AH |
| APPROVED | |
| DATE | DATE |
| 11/23/10 | |

ADAM TECH
 909 Ratway Avenue, Union, NJ 07083
 Phone: 908-687-5000 Fax: 908-687-5710

MODULAR JACK GANGED, 2 PORT, 8P8C
 W/ LED1 YELLOW, LED2 GREEN

| | | |
|------|--------------------------|--------------|
| SIZE | PART NO. | REV. |
| X | MTJ-888X1-FSD-PG-LG-M5-A | - |
| REF: | S00167T | SCALE: NTS |
| | | SHEET 2 OF 2 |

6

5

4

3

2

1