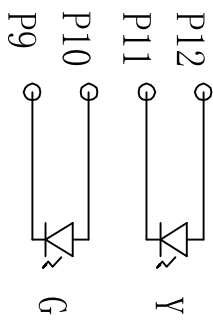
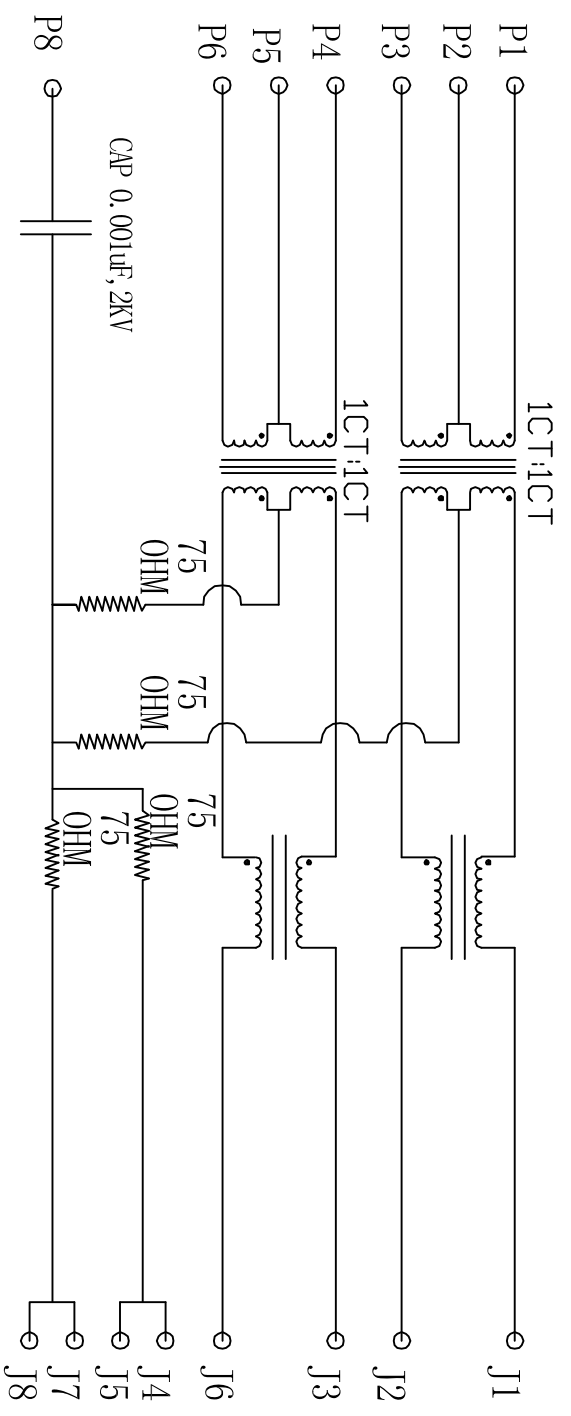


Rev	AWO #	Description	Date	Appr
		SEE SHT 1 OF 2 FOR REVISION		

APPROVED: \_\_\_\_\_

DATE: \_\_\_\_\_ TITLE: \_\_\_\_\_



**ELECTRICAL SPECIFICATIONS**

- Turns Ratio: (P1 ~ P3) : (J1 ~ J2) 1:1 ±3%  
(P4 ~ P6) : (J3 ~ J6) 1:1 ±3%
- Inductance: (P1 ~ P3) 350uH min. @ 0.1V, 100KHZ, 8mA DC Bias  
(P4 ~ P6) 350uH min. @ 0.1V, 100KHZ, 8mA DC Bias
- Leakage Inductance: P1 ~ P3 (with J1 and J2 Short): 0.35uH Max. @ 1 MHz  
P4 ~ P6 (with J3 and J6 Short): 0.35uH Max. @ 1 MHz
- Interwinding Capacitor: (P1 ~ P3) : (J1 ~ J2): 35pF max @ 1MHz  
(P4 ~ P6) : (J3 ~ J6): 1.2 Ohms Max.
- DC Resistance: (J1 ~ J2) : (J3 ~ J6): 1.2 Ohms Max.
- Return Loss: 1MHz to 30MHz: -18dB  
30MHz to 60MHz: -18+20LOG(F/30MHz)dB  
60MHz to 80MHz: -12dB
- Dielectric Withstanding: (P1~P3) : (J1~J2): (P4~P6) : (J3~J6) :1500V AC
- Insertion Loss: RS=RL=100OHM : 1KHZ TO 100MHZ : -1.1dB MAX
- Cross Talk: 500KHZ to 1000MHZ: -30dB MIN
- CM to CM REJ 100KHZ TO 100MHZ: -30dBMIN
- CM to DM REJ 100KHZ TO 100MHZ: -40dBMIN

UNLESS OTHERWISE SPECIFIED  
ALL DIMENSIONS ARE INCHES [MM]  
TOLERANCES: EXCEPT AS NOTED

.X	± .10	Ø.X	± .10
.XX	± .020	Ø.XXX	± .015
.XXX	± .015	Ø.XXXX	± .010

APPROVALS

DRAWN	DY	DATE
CHECKED		
APPROVED		

**ADAM TECH**  
909 Rahway Avenue, Union, NJ 07083  
Phone: 908-687-5000 Fax: 908-687-5710

TITLE	MODULAR JACK GANGED, 2 PORT, 8P8C		
W/ LED1 YELLOW, LED2 GREEN	SIZE	PART NO.	REV.
	X	MTJ-88SX1-FSD-PG-LG-M/5	A
REF:	S00005C	SCALE:	NTS
		SHEET	2 OF 2