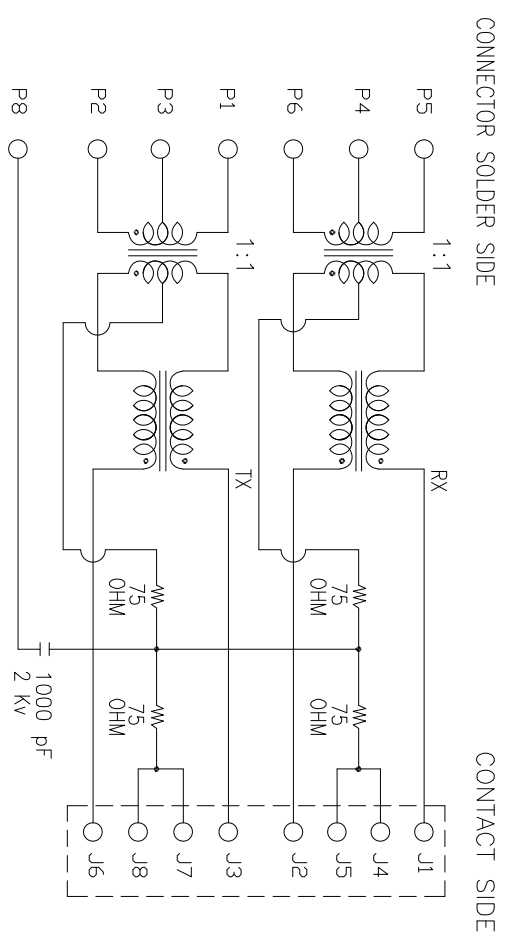


| | | | | |
|-----|-------|-----------------------------|------|------|
| Rev | AWO # | Description | Date | Appr |
| | | SEE SHT 1 OF 2 FOR REVISION | | |

APPROVED: _____

DATE: _____ TITLE: _____



ELECTRICAL CHARACTERISTICS
 TEST NOTES: (25°C ± 5°C)
 1.TR: (100KHz, 0.1V):
 PINS: (1-2) : (J3, J6)=1CT:1CT±3%
 PINS: (5-6) : (J1, J2)= 1CT:1CT±3%
 2. LX: (100KHz, 100mV, BrnA, DC Bias)
 PINS: (1,2),(5,6)=350uH MINIMUM
 3.DCR:
 PINS: (5-6),(J3-J6),(J1-J2)=1.0 OHMS MAXIMUM.
 PINS: (1-2)=1.2 OHMS MAXIMUM.
 4. HIPOT:
 PINS:(1,3,2)TO (J3,J6)=1500VAC FOR 60 SECONDS
 PINS(5,4,6)TO(J1,J2)=1500VAC FOR 60 SECONDS
 5. CAPACTOR (1KHz, 1):
 SHIELD TO (J1-J6)=1300pF MAXIMUM AND 700pF MINIMUM
 6. INSERTION LOSS:
 -1.0dB MAXIMUM AT 0.1MHZ TO 100MHZ
 7. RETURN LOSS:
 -20dB MINIMUM AT 1MHZ TO 30MHZ;
 -15dB MINIMUM AT 30MHZ TO 60MHZ;
 -10dB MINIMUM AT 60MHZ TO 100MHZ
 8. CROSS TALK:
 -30dB MINIMUM AT 1MHZ TO 100MHZ
 -30dB MINIMUM AT 1MHZ TO 100MHZ
 9. COMMON TO COMMON MODE REJECTION:
 -30dB MINIMUM AT 1MHZ TO 100MHZ

6 5 4 3 2 1

| | |
|--|-----------------|
| UNLESS OTHERWISE SPECIFIED ALL DIMENSIONS ARE INCHES [MM] | |
| TOLERANCES: EXCEPT AS NOTED | |
| .X ± .10 | Ø.X ± .10 |
| .XX ± .020 | Ø.XXX ± .015 |
| .XXX ± .015 | Ø.XXX ± .010 |
| APPROVALS | |
| DRAWN | AY |
| CHECKED | VW |
| DATE | 9/21/10 |

ADAM TECH
 909 Ratway Avenue, Union, NJ 07083
 Phone: 908-687-5000 Fax: 908-687-5710

TITLE: MODULAR JACK GANGED, 1 PORT, 8P8C
 W/LED1 ORANGE / GREEN, LED2 YELLOW / GREEN

SIZE: X PART NO.: MTJ-88SX1-FSD-LX-M13

REF: S00085T SCALE: NTS SHEET 2 OF 2