

6

5

4

3

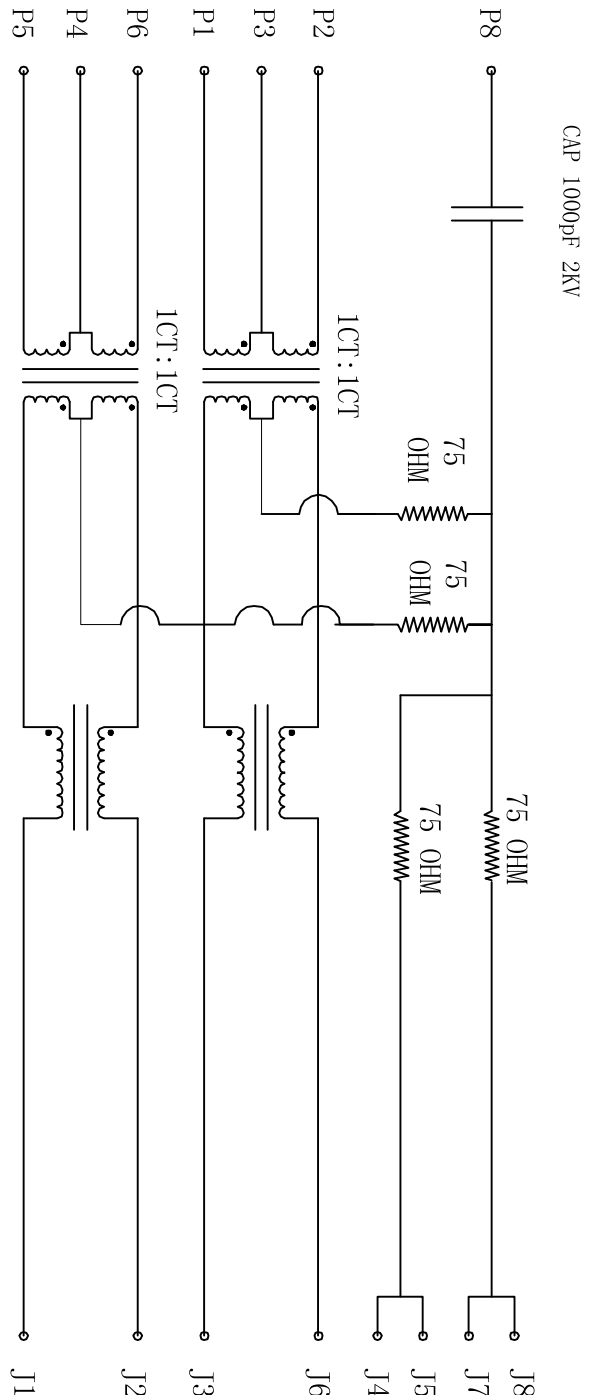
2

1

Rev	AWO #	Description	Date	Appr
		SEE SHT 1 OF 2 FOR REVISION		

APPROVED: \_\_\_\_\_

DATE: \_\_\_\_\_ TITLE: \_\_\_\_\_



**ELECTRICAL SPECIFICATIONS**

- Turns Ratio: (P5 ~ P6) : (J1 ~ J2) :1:1 ±3%  
(P1 ~ P2) : (J3 ~ J6) :1:1 ±3%
- Inductance: (P5 ~ P6) 350uH min. @ 0.1V, 100KHZ, 8mA DC Bias  
(P1 ~ P2) 350uH min. @ 0.1V, 100KHZ, 8mA DC Bias
- Leakage Inductance: P5 ~ P6 (with J1 and J2 Short): 0.35uH Max. @ 1 MHz  
P1 ~ P2 (with J3 and J6 Short): 40pF max. @ 1 MHz
- Interwinding Capacitor: (P5 ~ P6) : (J1 ~ J2): 40pF max @ 1MHz  
(P1 ~ P2) : (J3 ~ J6): 1.2 Ohms Max.
- DC Resistance: (J1 ~ J2) : (J3 ~ J6): -12dB MIN  
30MHZ to 80MHZ: -18dB MIN
- Return Loss: 1MHZ to 30MHZ: -12dB MIN  
30MHZ to 80MHZ: -12dB MIN
- Dielectric Withstanding: (P5~P6) : (J1~J2):1500VAC  
(P1~P2) : (J3~J6):1500VAC
- Insertion Loss: RS=RL=100OHM to 100KHZ to 80MHZ: -1.2dB MAX  
9. Cross Talk: 1MHZ to 100MHZ: -35dB TYP
- Common to Common mode Attenuation: 30MHZ to 100MHZ: -30dB TYP

UNLESS OTHERWISE SPECIFIED  
ALL DIMENSIONS ARE INCHES [MM]  
TOLERANCES: EXCEPT AS NOTED  
INCHES HOLES  
.X ±.10 Ø.X ±.10  
.XX ±.020 Ø.XXX ±.015  
.XXX ±.015 Ø.XXX ±.010

**ADAM TECH**  
909 Ratway Avenue, Union, NJ 07083  
Phone: 908-687-5000 Fax: 908-687-5710

TITLE: MODULAR JACK GANGED, 1 PORT, 8P8C

DRAWN	AY	10/14/10	SIZE	PART NO.	REV.
CHECKED	VW	10/14/10	X	MTJ-88SSX1-FSD-PG-M13	
APPROVED			REF:	S0003C	SCALE: NTS

6

5

4

3

2

1