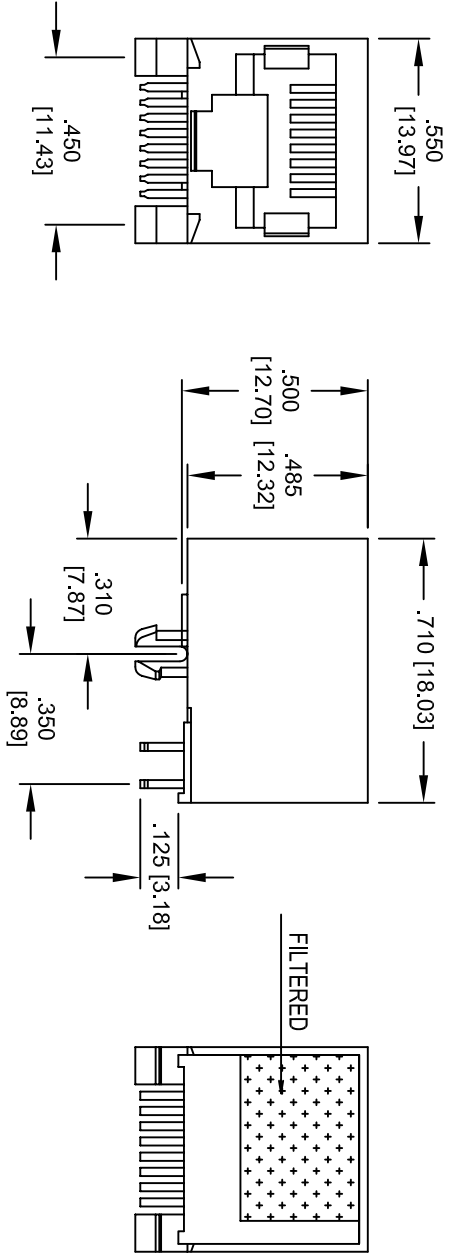


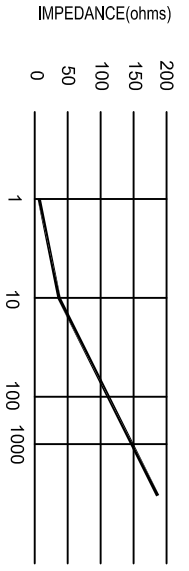
APPROVED: _____ TITLE: _____

DATE: _____

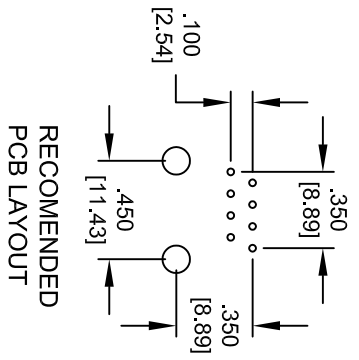
| | | | | |
|-----|-------|-------------|----------|------|
| Rev | AWO # | Description | Date | Appr |
| - | | RELEASED | 10/20/05 | |



Impedance Characteristic:



CAVITY CONFIRMS TO FCC RULES AND REGULATIONS
PART 68, SUBPART F.



SPECIFICATIONS:
Material:
 Insulator: PBT, rated UL 94V-0
 Insulator color: Black
Contacts: Phosphor Bronze
Filter: High Impedance, High Resistance, Ferrite block
Plating:
 Gold over Nickel underplate on contact area, Tin over Copper underplate on tails

Electrical:
 Operating voltage: 150 VAC max
 Current rating: 1.5 Amps max
 Contact resistance: 20 mohms max
 Insulation resistance: 500 Mohms min @ 500 VDC
 Dielectric withstanding voltage: 1000 VAC for 1 minute
Temperature Rating:
 Operating temperature: -40°C to +125°C

Environmental:
 Lead free, RoHS compliant.
 Recommended soldering temp: 235 for 5 sec.



| X | PLATING |
|---|-------------|
| 0 | 15 µin Gold |
| 1 | 30 µin Gold |
| 2 | 50 µin Gold |

| | |
|---|-------------|
| UNLESS OTHERWISE SPECIFIED ALL DIMENSIONS ARE INCHES [MM] TOLERANCES: EXCEPT AS NOTED | |
| INCHES | HOLES |
| X ± .10 | ØX ± .015 |
| .XX ± .020 | ØXX ± .015 |
| .XXX ± .015 | ØXXX ± .010 |
| APPROVALS | DATE |
| SS | 10/20/05 |

ADAM TECH
 909 Rahway Avenue, Union, NJ 07083
 Phone: 908-687-5000 Fax: 908-687-5710

**MODULAR TELEPHONE JACK, 8P8C
 FILTERED, RIGHT ANGLE**

| | | |
|------------|--------------|------|
| SIZE | PART NO. | REV. |
| X | MTJ-88MX1 | - |
| SCALE: NTS | SHEET 1 OF 1 | |