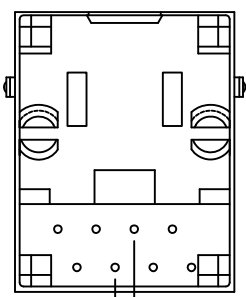
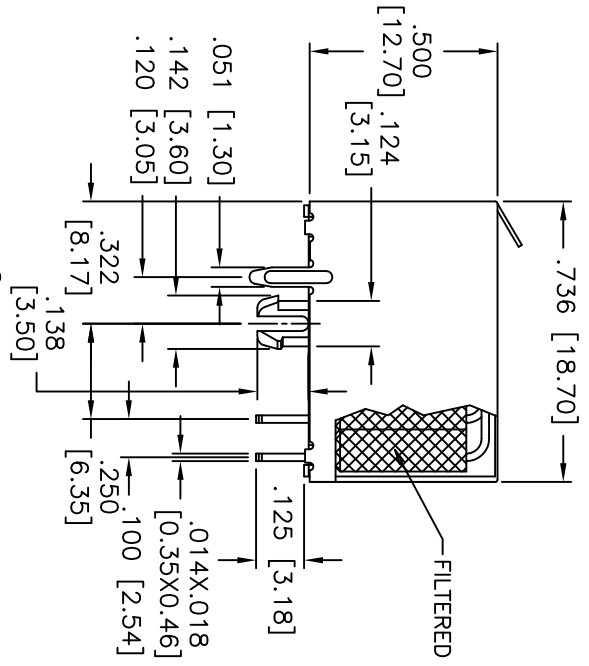
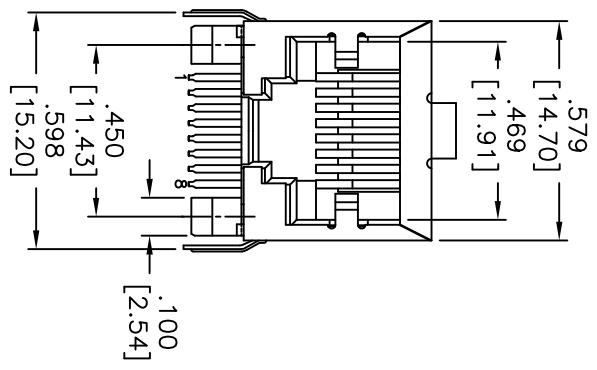
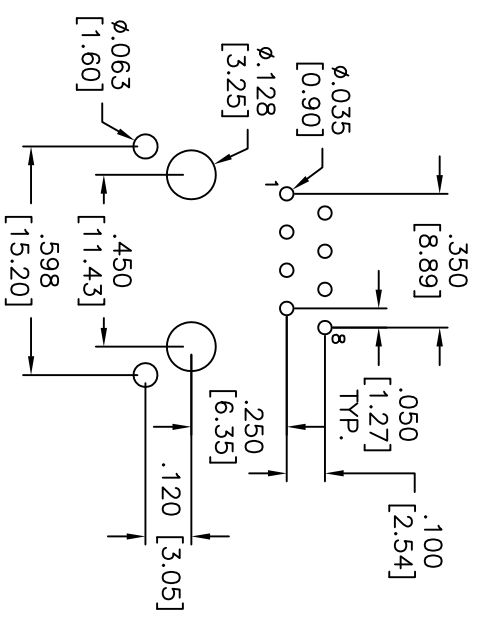


Rev	AWO #	Description	Date	Appr
-		RELEASED	6/13/11	

APPROVED: _____
 DATE: _____ TITLE: _____



X	PLATING
0	15 µin Gold
1	30 µin Gold
2	50 µin Gold



RECOMMENDED PCB LAYOUT

SPECIFICATIONS:

- Material: Insulator: PBT, rated UL 94V-0
- Insulator color: Black
- Contacts: Phosphor Bronze
- Shield: Copper Alloy, Nickel plated
- Plating: Gold over Nickel underplate on contact area, Tin over Copper underplate on PCB tails
- Electrical: Operating voltage: 150 VAC max
- Current rating: 1.5 Amps max
- Contact resistance: 20 mohms max
- Insulation resistance: 500 Mohms min @ 500 VDC
- Dielectric withstanding voltage: 1000 VAC for 1 minute
- Temperature Rating: Operating temperature: -40°C to +125°C

ENVIRONMENTAL:

- Operating temperature: -40°C to +125°C
- Lead free, RoHS Compliant
- Recommended soldering temp: 235°C for 5 seconds



UNLESS OTHERWISE SPECIFIED ALL DIMENSIONS ARE INCHES [MM] TOLERANCES: EXCEPT AS NOTED	
X	± .10
.XX	± .020
.XXX	± .015
.XXXX	± .010
HOLE SIZES: ØXX ±.10, ØXXX ±.015, ØXXXX ±.010	
APPROVALS	DATE
DRAWN	DY
CHECKED	
APPROVED	

ADAM TECH
 909 Rahway Avenue, Union, NJ 07083
 Phone: 908-687-5000 Fax: 908-687-5710

TITLE: MODULAR TELEPHONE JACK, 8P8C
 RIGHT ANGLE, FERRITE FILTERED, FULL SHIELD

SIZE	PART NO.	REV.
X	MTJ-8MX1-FSE-PG1	-
REF: S0006ST	SCALE: NTS	SHEET 1 OF 1