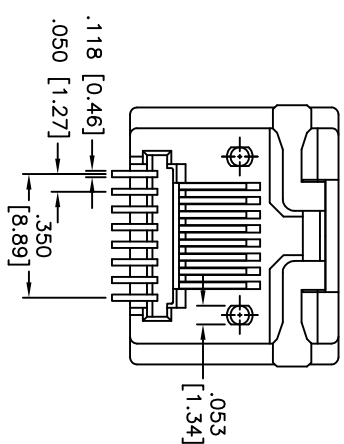
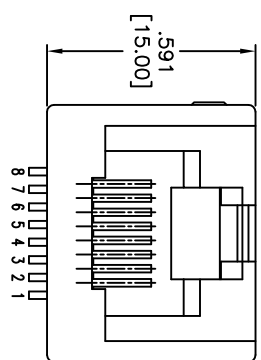
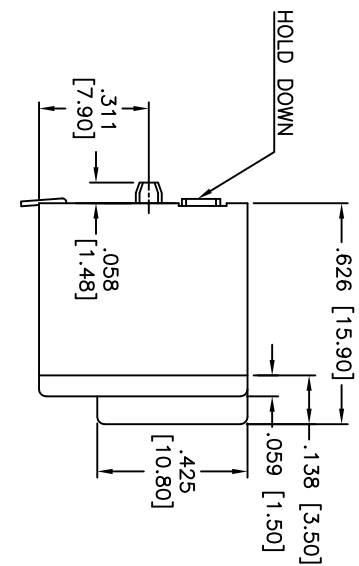
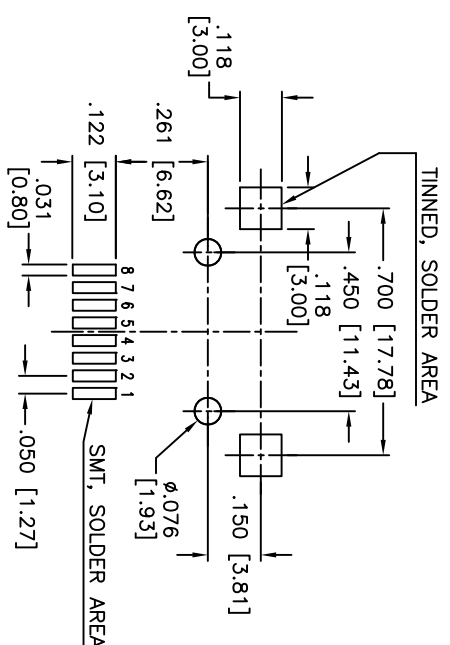
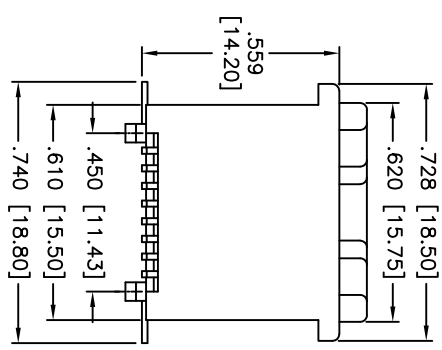


Rev	AWO #	Description	Date	Appr
-	10287	RELEASED	5/19/10	

APPROVED: _____
 DATE: _____ TITLE: _____



X	PLATING
0	15 µin Gold
1	30 µin Gold
2	50 µin Gold



SPECIFICATIONS:

Material: Nylon46, rated UL 94V-0
 Insulator color: Black
 Contacts: Phosphor Bronze
 Hold down: Copper alloy, Tin plated
 Plating: Gold over Nickel underplate on contact area, Tin over Copper underplate on tails.
 (See chart for thickness)

Electrical:
 Operating voltage: 125 VAC max
 Current rating: 1.5 Amps max
 Contact resistance: 45 mohms max
 Insulation resistance: 1,000 Mohms min @ 500 VDC
 Dielectric withstanding voltage: 1000 VAC for 1 minute

Temperature Rating:
 Operating temperature: -40°C to +85°C

Environmental:
 Recommended soldering temp: 260°C for 5 sec.



UNLESS OTHERWISE SPECIFIED
 ALL DIMENSIONS ARE IN INCHES [MM]
 TOLERANCES: EXCEPT AS NOTED
 INCHES HILES
 .X ± .10 ØXX ± .10
 .XX ± .020 ØXXX ± .015
 .XXX ± .015 ØXXXX ± .010
 APPROVALS DATE

ADAM TECH
 909 Rahway Avenue, Union, NJ 07083
 Phone: 908-687-5000 Fax: 908-687-5710

DRAWN	DY	5/19/10	SIZE	PART NO.	REV.
CHECKED			X	MTJ-88XX1-TSMT	-
APPROVED			REF: S0005T	SCALE: NTS	SHEET 1 OF 1