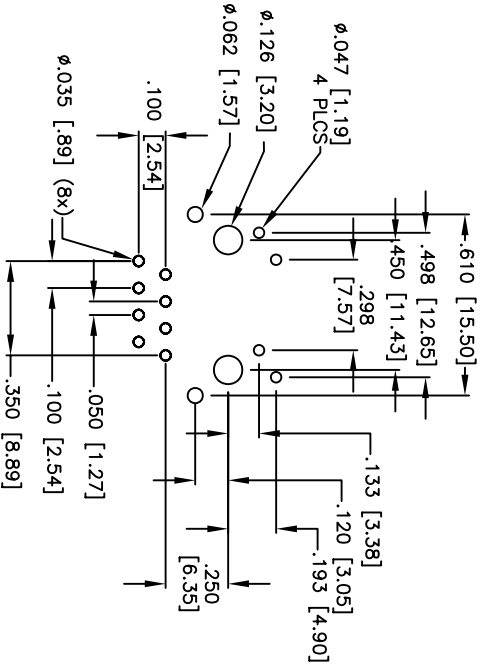
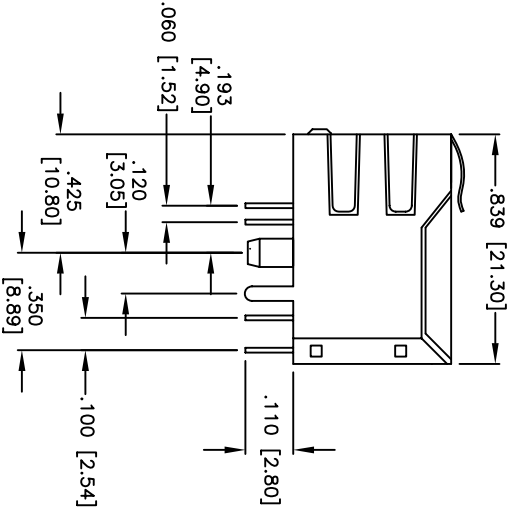
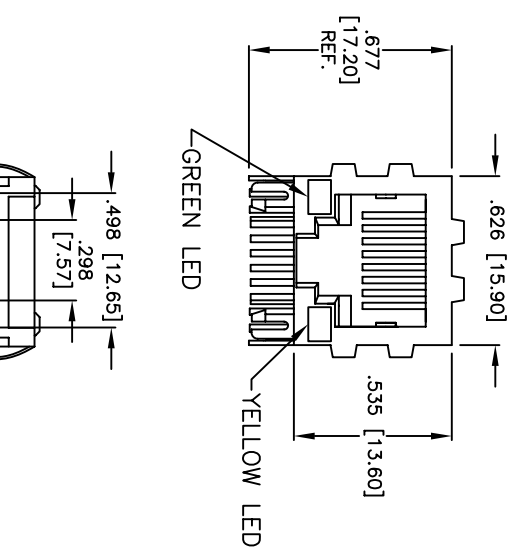


Rev	AWO #	Description	Date	Appr
-		RELEASED	5/23/07	

APPROVED: _____
 DATE: _____ TITLE: _____



X	PLATING
0	15 μin Gold
1	30 μin Gold
2	50 μin Gold

SPECIFICATIONS:

Material:
 Insulator: PBT, glass reinforced, rated UL 94V-0
 Insulator color: Black
 Contacts: Phosphor Bronze
 Shield: Copper Alloy, Tin plated
 Plating:
 X plating over Nickel underplate on contact area, Tin over copper underplate on solder tails

Electrical:
 Operating voltage: 250 VAC max
 Current rating: 1.5 Amps max
 Contact resistance: 20 mohms max.
 Insulation resistance: 500 Mohms min @ 500 VDC
 Dielectric withstanding voltage: 1000 VAC for 1 minute
 Temperature Rating:
 Operating temperature: -40°C to +125°C
 Lead free, RoHS compliant
 Recommended soldering temp: 235°C for 5 seconds



ADAM TECH

909 Rahway Avenue, Union, NJ 07083
 Phone: 908-687-5000 Fax: 908-687-5710

MODULAR TELEPHONE JACK, 8P8C,
 SHIELDED, PCB, GRN / YEL LED

UNLESS OTHERWISE SPECIFIED ALL DIMENSIONS ARE INCHES [MM]		TITLE	
TOLERANCES: EXCEPT AS NOTED		MODULAR TELEPHONE JACK, 8P8C, SHIELDED, PCB, GRN / YEL LED	
INCHES		DATE	
.X ± .10	ØX ± .10	5/23/07	
.XX ± .020	ØXX ± .015	DRAWN SS	
.XXX ± .015	ØXXX ± .010	CHECKED	
APPROVALS		APPROVED	
SIZE	PART NO.	SCALE:	SHEET 1 OF 1
X	MTJ-88GX1-FSD-PG6-BD1LH	NTS	