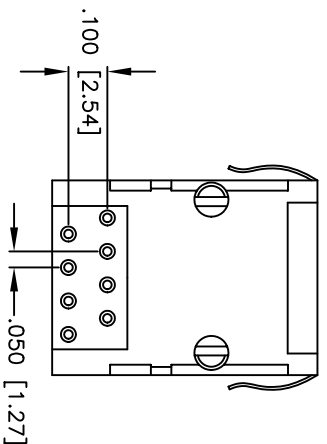
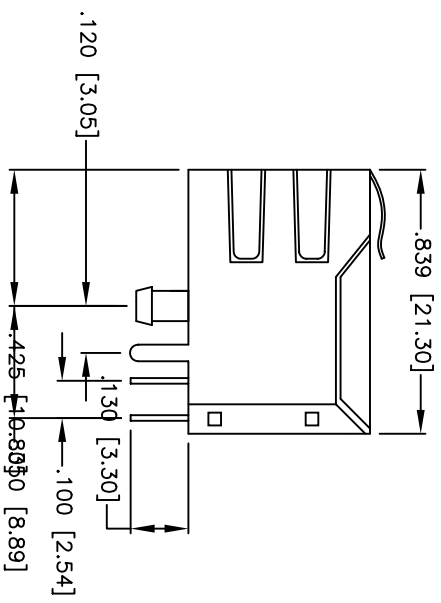
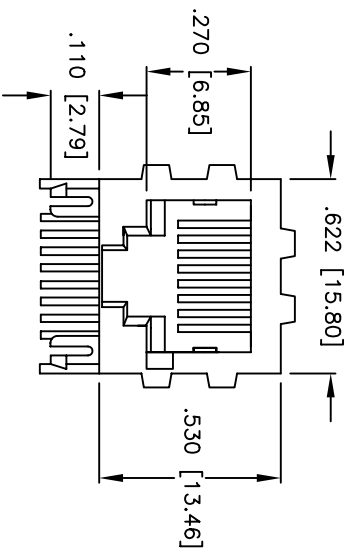
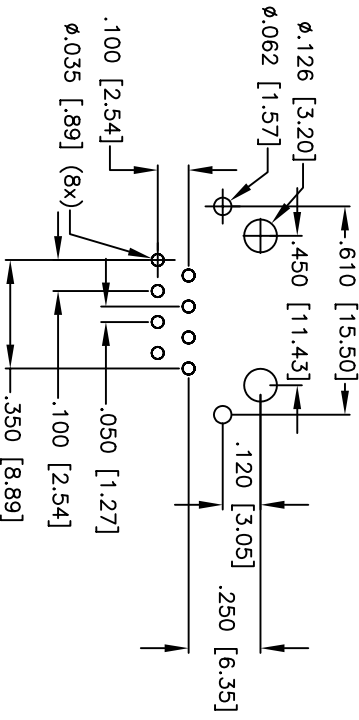


Rev	AWO #	Description	Date	Appr
-		RELEASED	10/13/04	

APPROVED: _____
 DATE: _____ TITLE: _____



	PLATING
X	15 μin Gold
0	30 μin Gold
1	50 μin Gold
2	50 μin Gold



PC Board Layout

SPECIFICATIONS:

Material:
 Insulator: PBT, glass reinforced, rated UL 94V-0
 Insulator color: Black
 Contacts: Phosphor Bronze
 Shield: Copper Alloy, Tin plated
 Plating:
 X plating over Nickel underplate on contact area,
 Tin over copper underplate on solder tails

Electrical:
 Operating voltage: 250 VAC max
 Current rating: 1.5 Amps max
 Contact resistance: 20 mohms max.
 Insulation resistance: 500 Mohms min @ 500 VDC
 Dielectric withstanding voltage: 1000 VAC for 1 minute
 Temperature Rating:
 Operating temperature: -40°C to +125°C

ADAM TECH

909 Railway Avenue, Union, NJ 07083
 Phone: 908-687-5000 Fax: 908-687-5710

MODULAR TELEPHONE JACK, 8P8C, KEYED
 FULLY SHIELDED, PCB

UNLESS OTHERWISE SPECIFIED ALL DIMENSIONS ARE IN INCHES [MM]		TITLE	
TOLERANCES: EXCEPT AS NOTED		MODULAR TELEPHONE JACK, 8P8C, KEYED	
INCHES		FULLY SHIELDED, PCB	
.X	± .10	ØX	± .10
.XX	± .020	ØXXX	± .015
.XXX	± .015	ØXXXX	± .010
APPROVALS		DATE	
DRAWN	SS	10/13/04	
CHECKED			
APPROVED			
SIZE		PART NO.	
X		MTJ-88GX1-FSD-K-PG6	
REF:		SCALE: NTS	
		SHEET 1 OF 1	