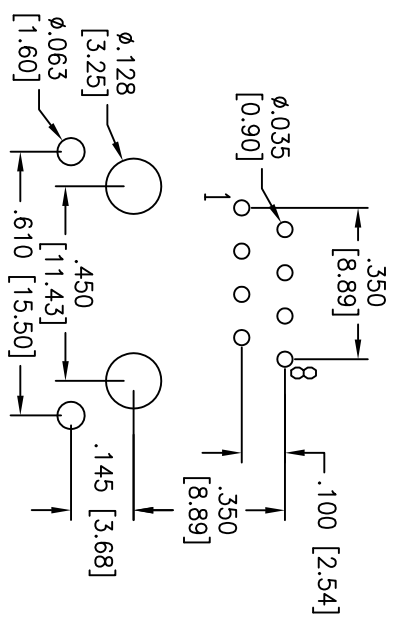
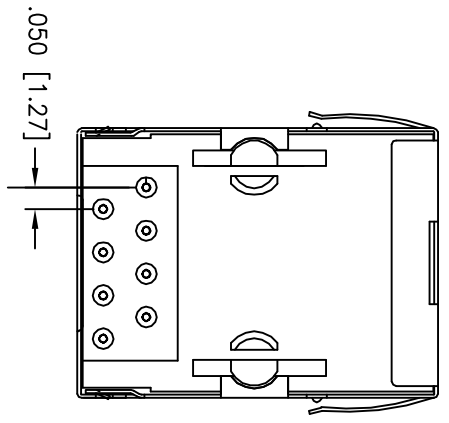
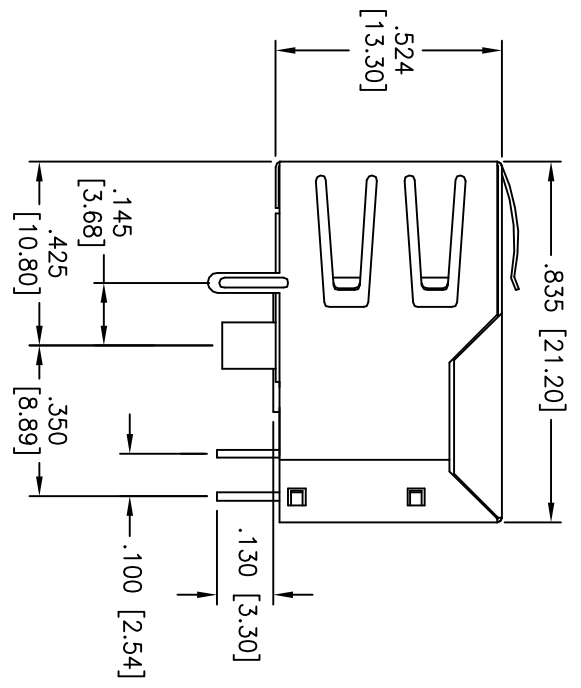
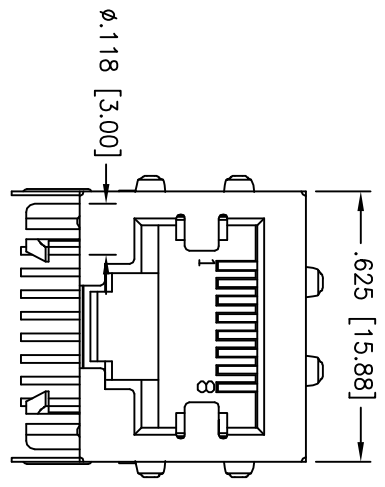


Rev	AWO #	Description	Date	Appr
-		RELEASED	11/04/09	

APPROVED: \_\_\_\_\_  
 DATE: \_\_\_\_\_ TITLE: \_\_\_\_\_



Recommended PCB Layout

**SPECIFICATIONS:**

- Material: Insulator: PBT, rated UL 94V-0; Insulator color: Black; Contacts: Phosphor Bronze; Shield: Brass; Plating:
- Gold over Nickel underplate on contact area, Tin over Copper underplate on PCB tails
- Electrical: Operating voltage: 125 VAC max; Current rating: 1.5 Amps max; Contact resistance: 35 mohms max; Insulation resistance: 1000 Mohms min @ 500 VDC; Dielectric withstanding voltage: 1000 VAC for 1 minute
- Temperature Rating: Operating temperature: -40°C to +85°C
- Environmental: Lead free, RoHS compliant.
- Recommended soldering temp: 235°C for 5 sec.

X	PLATING
0	15 u" Gold
1	30 u" Gold
2	50 u" Gold

UNLESS OTHERWISE SPECIFIED  
 ALL DIMENSIONS ARE INCHES [MM]  
 TOLERANCES: EXCEPT AS NOTED  
 INCHES: ±.10 ØXXX ±.015  
 .XXX ±.015  
 APPROVALS: \_\_\_\_\_ DATE: \_\_\_\_\_

**ADAM TECH**  
 909 Railway Avenue, Union, NJ 07083  
 Phone: 908-687-5000 Fax: 908-687-5710  
 MODULAR TELEPHONE JACK, 8P8C  
 RIGHT ANGLE, PCB, SHIELDED

DRAWN	DY	11/04/09	SIZE	PART NO.	REV.
CHECKED			X	MT-J88GX1-FSB-PG6	
APPROVED			REF:	S00005C	SCALE: NTS SHEET 1 OF 1