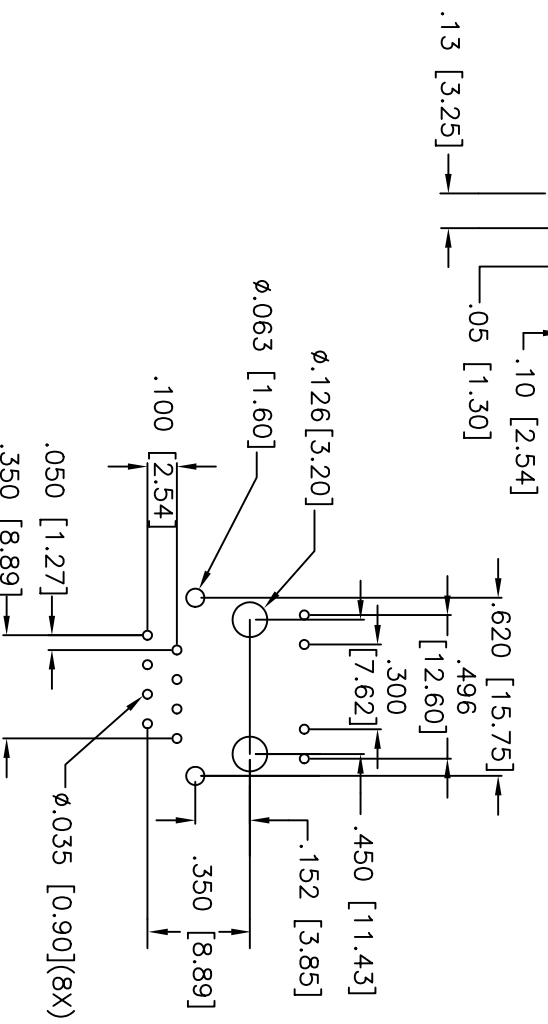
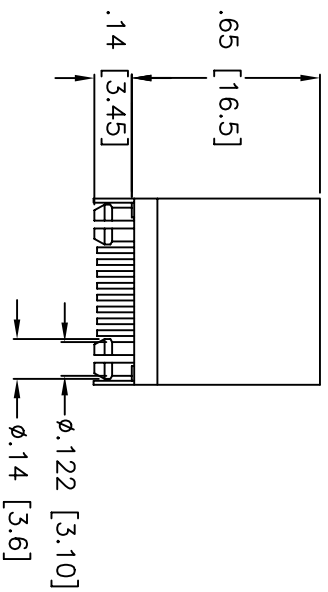
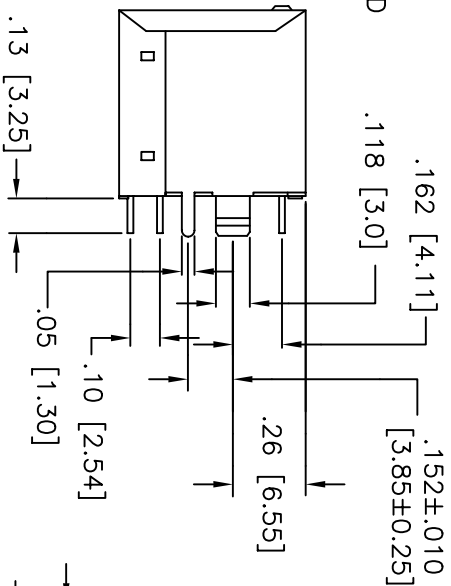
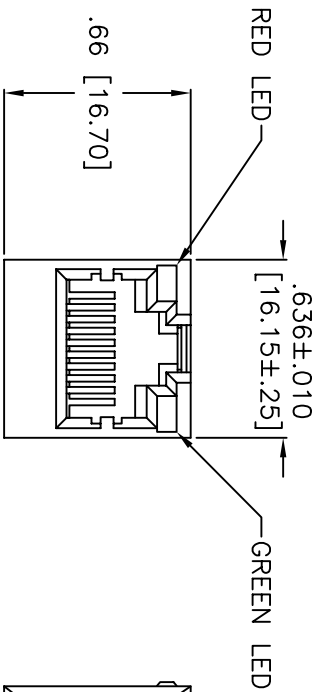


Rev	AWO #	Description	Date	Appr
-		RELEASED	10/13/04	

APPROVED: _____
 DATE: _____ TITLE: _____



"X"	PLATING
0	15 µin Gold
1	30 µin Gold
2	50 µin Gold

SPECIFICATIONS:
 Material:
 Insulator: PBT, glass reinforced, rated UL 94V-0
 Insulator color: Black
 Contacts: Brass
 Shield: Copper Alloy, Tin plated
 Plating:
 "X" Gold over Nickel underplate on mating area,
 Tin over Copper underplate on solder tails
 Electrical:
 Operating voltage: 150 VAC max
 Current rating: 1.5 Amp max
 Contact resistance: 20 mohms max
 Insulation resistance: 500 Mohms min @ 500 VDC
 Dielectric withstanding voltage: 1000 VAC for 1 minute
 Temperature Rating:
 Operating temperature: -40°C to +125°C

UNLESS OTHERWISE SPECIFIED
 ALL DIMENSIONS ARE INCHES [MM]
 TOLERANCES: EXCEPT AS NOTED

INCHES	HOLES
.X ± .10	ØX ± .10
.XX ± .020	ØXX ± .015
.XXX ± .015	ØXXX ± .010

APPROVALS: _____ DATE: _____
 DRAWN: SS 10/13/04
 CHECKED: _____
 APPROVED: _____

ADAM TECH
 909 Rahway Avenue, Union, NJ 07083
 Phone: 908-687-5000 Fax: 908-687-5710

TITLE: MODULAR TELEPHONE JACK, VERTICAL
 8P8C, PCB, RED / GRN LED

SIZE: X PART NO.: MTJ-88FX1-FSNL11
 REF: SCALE: NTS SHEET 1 OF 1