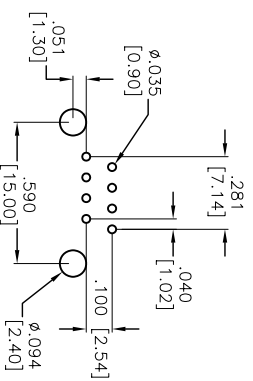
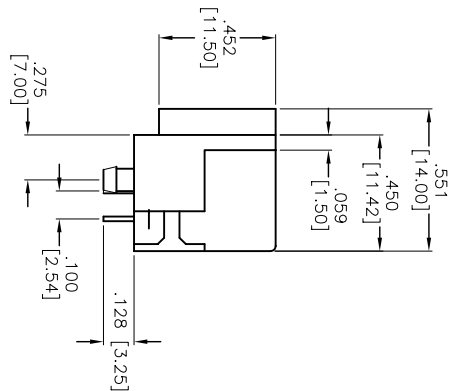
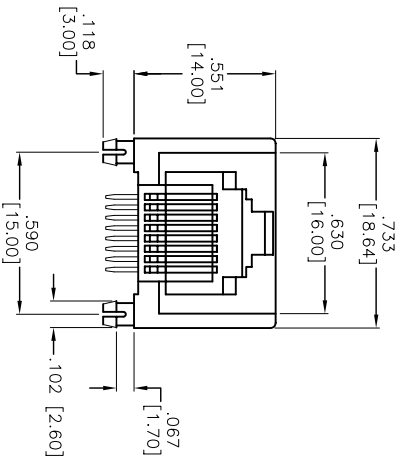
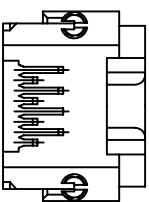


Rev	AWO #	Description	Date	Appr
-		RELEASED	01/25/06	

APPROVED: \_\_\_\_\_  
 DATE: \_\_\_\_\_ TITLE: \_\_\_\_\_



RECOMMENDED  
PCB LAYOUT



**SPECIFICATIONS:**

**Material:**  
 Insulator: PBT, glass reinforced, rated UL 94V-0  
 Insulator color: Green Gray  
 Contacts: Phosphor Bronze  
 Plating:  
 X u" Gold over Nickel underplate on contact area, Tin over Copper underplate on tails (See chart)

X	PLATING
0	15 µin Gold
1	30 µin Gold
2	50 µin Gold

**Electrical:**  
 Operating voltage: 150 VAC max  
 Current rating: 1.5 Amps max  
 Contact resistance: 20 mohms max @ 500 VDC  
 Insulation resistance: 500 Mohms min @ 500 VDC  
 Dielectric withstanding voltage: 1000 VAC for 1 minute  
 Temperature Rating:  
 Operating temperature: -40°C to +125°C

**Environmental:**  
 Lead free, RoHS compliant.  
 Recommended soldering temp: 235 for 5 sec.



**ADAM TECH**

909 Rahway Avenue, Union, NJ 07083  
 Phone: 908-687-5000 Fax: 908-687-5710

MODULAR TELEPHONE JACK, 8P8C  
 RIGHT ANGLE, PLASTIC PEG

UNLESS OTHERWISE SPECIFIED ALL DIMENSIONS ARE INCHES [MM]	
TOLERANCES: EXCEPT AS NOTED	
INCHES	HOLES
.X ± .10	Ø.X ± .10
.XX ± .020	Ø.XX ± .015
.XXX ± .015	Ø.XXX ± .010
APPROVALS	DATE
DRAWN SS	01/25/06
CHECKED	
APPROVED	

TITLE	SIZE	PART NO.	REV.
MODULAR TELEPHONE JACK, 8P8C RIGHT ANGLE, PLASTIC PEG	X	MTJ-88EX2-P	-
REF:	SCALE:	NTS	SHEET 1 OF 1