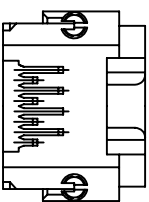
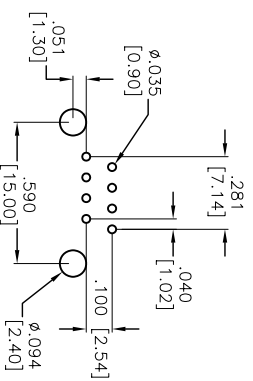
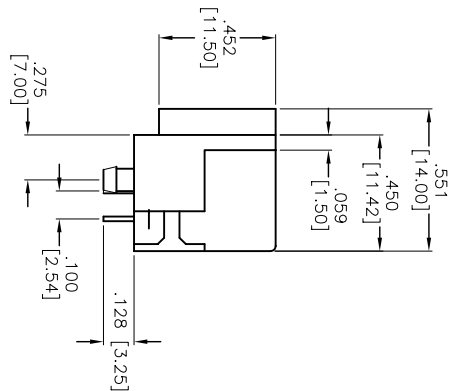
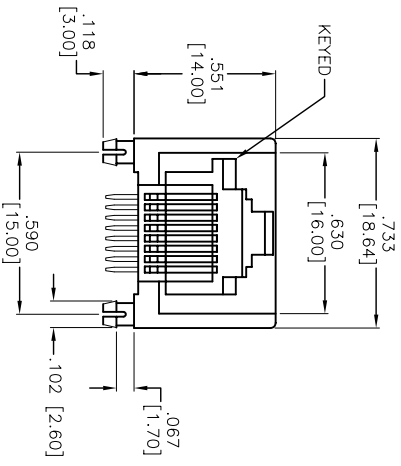


Rev	AWO #	Description	Date	Appr
-		RELEASED	01/25/06	

APPROVED: _____
 DATE: _____ TITLE: _____



SPECIFICATIONS:

Material:
 Insulator: PBT, glass reinforced, rated UL 94V-0
 Insulator color: Green Gray
 Contacts: Phosphor Bronze
 Plating:
 X u" Gold over Nickel underplate on contact area, Tin over Copper underplate on tails (See chart)

X	PLATING
0	15 µin Gold
1	30 µin Gold
2	50 µin Gold

Electrical:
 Operating voltage: 150 VAC max
 Current rating: 1.5 Amps max
 Contact resistance: 20 mohms max @ 500 VDC
 Insulation resistance: 500 Mohms min @ 500 VDC
 Dielectric withstanding voltage: 1000 VAC for 1 minute
 Temperature Rating:
 Operating temperature: -40°C to +125°C

Environmental:
 Lead free, RoHS compliant.
 Recommended soldering temp: 235 for 5 sec.



ADAM TECH

909 Rahway Avenue, Union, NJ 07083
 Phone: 908-687-5000 Fax: 908-687-5710

**MODULAR TELEPHONE JACK, 8P8C
 RIGHT ANGLE, PEG, KEYED**

UNLESS OTHERWISE SPECIFIED ALL DIMENSIONS ARE INCHES [MM]	
TOLERANCES: EXCEPT AS NOTED	
INCHES	HOLES
.X ± .10	Ø.X ± .10
.XX ± .020	Ø.XX ± .015
.XXX ± .015	Ø.XXX ± .010
APPROVALS	DATE
DRAWN SS	01/25/06
CHECKED	
APPROVED	

TITLE	MODULAR TELEPHONE JACK, 8P8C RIGHT ANGLE, PEG, KEYED	
SIZE	PART NO.	MTJ-88EX2-P-K
REF:	SCALE:	NTS
	SHEET	1 OF 1