

6

5

4

3

2

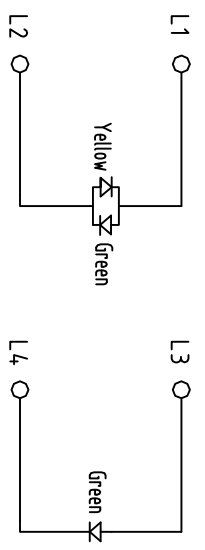
1

Rev	AWO #	Description	Date	Appr
		SEE SHT 1 OF 2 FOR REVISION		

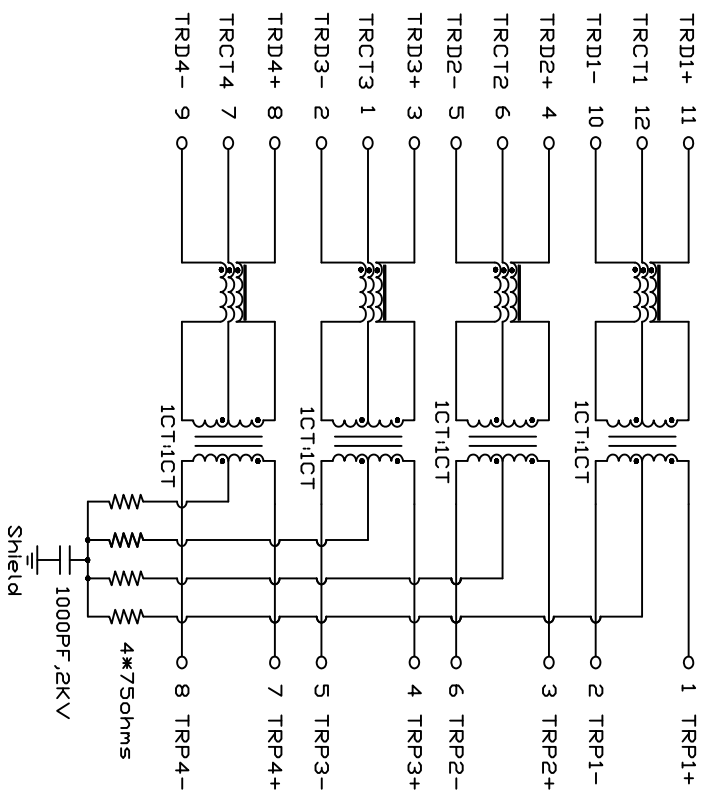
APPROVED: \_\_\_\_\_

DATE: \_\_\_\_\_ TITLE: \_\_\_\_\_

CABLE SIDE



PCB SIDE TO PHY



ELECTRICAL SPECIFICATIONS:

- Turns Ratio: TP1-2 1CT:1CT(±3%)
- Primary Inductance: 350uH Min. @100KHz, 0.1Vrms, 8mADC BIAS
- Hi-POT TEST: TP1-2 1500Vrms
- TRANSMITTER FILTER  
Type: Balance Low Pass 100 Ohm Impedance Nom  
Insertion Loss: 0.5~100MHz 1.0dB MAX.  
Return Loss: 0.5~40MHz 16dB MIN  
40~100MHz 10~20LOG(f/80)dB MIN  
40~100MHz 35dB MIN.
- Cross Talk: 0.5~40MHz 35dB MIN.  
40~100MHz 33~20LOG(f/50)dB MIN
- CM TO CM REJECTION:  
0.5~100MHz 30dB MIN.

ADAM TECH

909 Rahway Avenue, Union, NJ 07083  
Phone: 908-687-5000 Fax: 908-687-5710

MODULAR JACK GANGED, 1 PORT, 8P8C  
W/LED1 YELLOW/GREEN, LED2 GREEN

UNLESS OTHERWISE SPECIFIED ALL DIMENSIONS ARE INCHES [MM] TOLERANCES: EXCEPT AS NOTED	
.X INCHES	± .10
.XX HOLE	± .020
.XXX HOLE	± .015
APPROVALS	
DRAWN	DY
CHECKED	
APPROVED	
DATE: 7/13/11	

TITLE	SIZE	PART NO.	REV.
MODULAR JACK GANGED, 1 PORT, 8P8C W/LED1 YELLOW/GREEN, LED2 GREEN	X	MTJ-88CX1-FSP-PG-LU-M20-HT-A	
REF: 800/87T	SCALE: NTS	SHEET 2 OF 2	