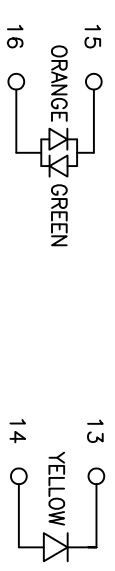
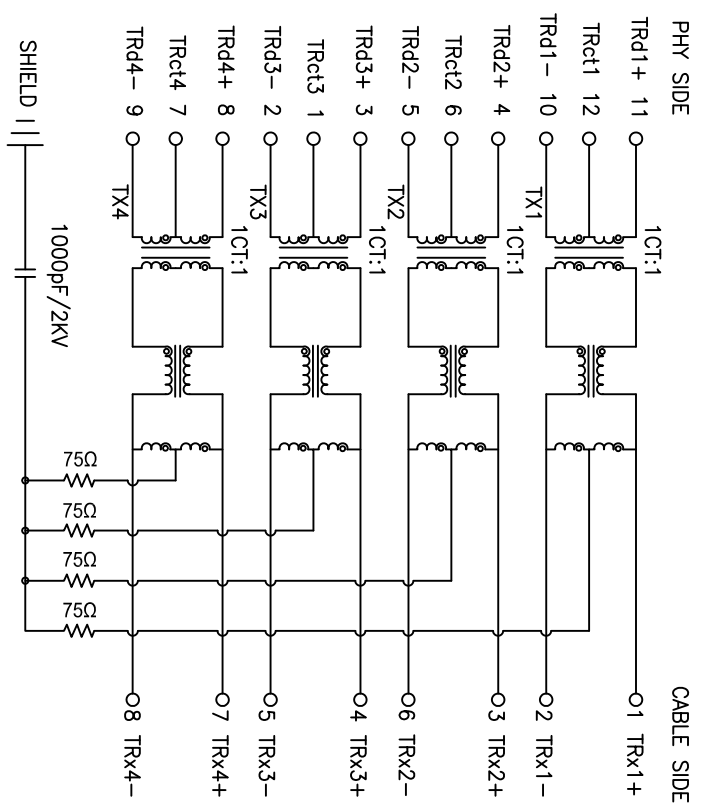


Rev	AWO #	Description	Date	Appr
		SEE SHT 1 OF 2 FOR REVISION		

APPROVED: _____

DATE: _____ TITLE: _____



SPECIFICATIONS:

1. OCL(@100KHz, 100mV, 8mA, DC BIAS): 350uH min
2. Turns Ratio(±2%)
TX=1CT:1 RX=1CT:1
3. Insertion Loss: 1-100MHZ:-1.0dB max
4. Return Loss (dBmin):
1-10MHZ:-20; 30MHZ:-16
60-80MHZ:-12; 80-100MHZ:-10
5. Crosstalk(dBmin):
1-10MHZ:-40; 32-65MHZ:-35
65-100MHZ:-30
6. CRM(dBmin):
1-125MHZ:-30 125-500MHZ:-20
7. HI-POI:1500Vrms @60Hz

UNLESS OTHERWISE SPECIFIED
ALL DIMENSIONS ARE INCHES [MM]
TOLERANCES: EXCEPT AS NOTED

.X	± .10	Ø.X	± .10
.XX	± .020	Ø.XXX	± .015
.XXX	± .015	Ø.XXXX	± .010

HOLES
INCHES
DATE

ADAM TECH
909 Ratway Avenue, Union, NJ 07083
Phone: 908-687-5000 Fax: 908-687-5710

**MODULAR JACK GANGED, 1 PORT, 8P8C
W/ LED1 ORANGE/GREEN, LED2 YELLOW**

DRAWN	DY	11/10/10	SIZE	PART NO.	REV.
CHECKED			X	MTJ-88CX1-FSP-PG-L-M99	
APPROVED			REF:	S00043C	