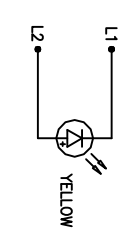
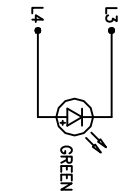
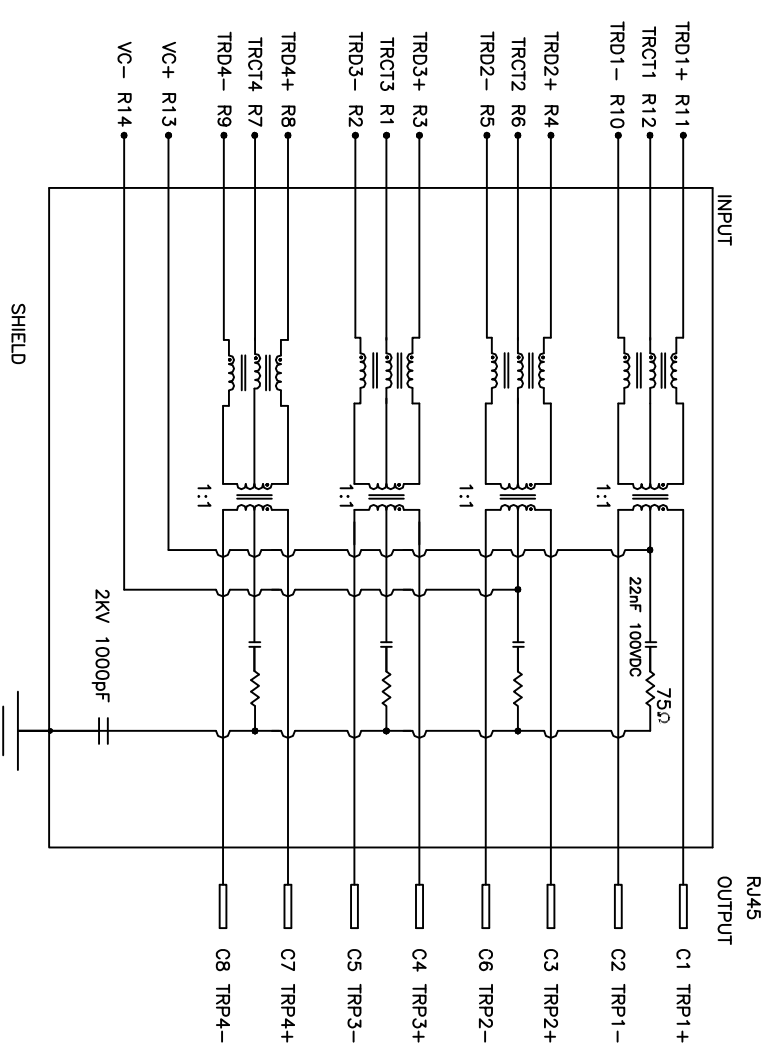


Rev	AWO #	Description	Date	Appr
		SEE SHT 1 OF 2 FOR REVISION		

APPROVED: \_\_\_\_\_

DATE: \_\_\_\_\_ TITLE: \_\_\_\_\_



**SPECIFICATIONS:**  
 Transmitter filter & Receiver filter  
 Type: Balance low pass 100Ω impedance  
 Insertion loss: 1~100MHz-1.0dB MAX.  
 Return loss: 1~30MHz-18dB MIN. load 100Ω  
 30~60MHz-16dB MIN. load 100Ω  
 60~80MHz-12dB MIN. load 100Ω  
 80~100MHz-10dB MIN. load 100Ω

Common Mode Rejection  
 @1~100MHz-30dB MIN.  
 Cross Talk  
 @1~100MHz-30dB MIN.

INDUCTANCE@100KHz, 0.1V, 8mA DC BIAS  
 Input(R11~R10), Input(R4~R5), Input(R3~R2), Input(R8~R9): 350uH MIN.  
 HiPot TEST

Input(R11~R10) to Output(C1~C2): 1500 VAC, 60sec or 2250VDC, 60sec  
 Input(R4~R5) to Output(C3~C6): 1500 VAC, 60sec or 2250VDC, 60sec  
 Input(R3~R2) to Output(C4~C5): 1500 VAC, 60sec or 2250VDC, 60sec  
 Input(R8~R9) to Output(C7~C8): 1500 VAC, 60sec or 2250VDC, 60sec

UNLESS OTHERWISE SPECIFIED  
 ALL DIMENSIONS ARE INCHES [MM]  
 TOLERANCES: EXCEPT AS NOTED

.X	± .10	Ø.X	± .10
.XX	± .020	Ø.XXX	± .015
.XXX	± .015	Ø.XXX	± .010

APPROVALS	DATE
DRAWN	DY
CHECKED	
APPROVED	

**ADAM TECH**

909 Rahway Avenue, Union, NJ 07083  
 Phone: 908-687-5000 Fax: 908-687-5710

TITLE  
 MODULAR JACK, 1 PORT, 8P8C  
 W/LED1 GREEN, LED2 YELLOW

SIZE	PART NO.	REV.
X	MTJG-88CX1-FSP-PG-LHM130	-
REF:	S00073T	
SCALE:	NTS	
SHEET	2 OF 2	