

6

5

4

3

2

1

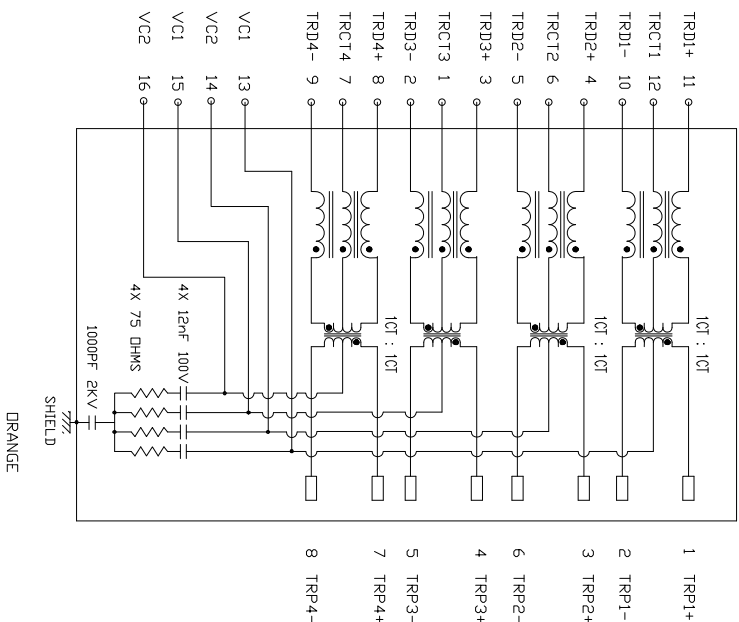
Rev	AWO #	Description	Date	Appr
		SEE SHT 1 OF 2 FOR REVISION		

APPROVED: _____

DATE: _____ TITLE: _____

PIN

RJ45



ELECTRICAL SPECIFICATIONS :

1. Insertion Loss: 1-100 MHz : -1.0dB Max.
2. Return Loss: 1MHz to 30MHz: -18dB min / 30MHz to 60MHz: -16dB min / 60MHz to 80MHz: -12dB min.
3. Cross Talk: 1MHz to 30MHz: -40dB Typ / 30MHz to 60MHz: -35dB Typ / 60MHz to 80MHz: -30dB Typ.
4. Common Mode Rejection: 1MHz to 50MHz: -30dB Typ / 50MHz to 150MHz: -20dB Typ.
5. Hipot: 1500 Vrms

UNLESS OTHERWISE SPECIFIED	
ALL DIMENSIONS ARE INCHES [MM]	
TOLERANCES: EXCEPT AS NOTED	
.X	± .10
.XX	± .020
.XXX	± .015
Ø.X	± .10
Ø.XX	± .015
Ø.XXX	± .010
APPROVALS	
DRAWN	AY
CHECKED	JL
APPROVED	

ADAM TECH
 909 Ratway Avenue, Union, NJ 07083
 Phone: 908-687-5000 Fax: 908-687-5710

TITLE: MODULAR JACK GANGED, 1 PORT, 8P8C
 W/LED1 GREEN, LED2 GREEN

SIZE	PART NO.	REV.
X	MTJ-88CX1-FSP-PG-LD-M136	
REF:	S00054C	
SCALE:	NTS	
SHEET:	2 OF 2	

6

5

4

3

2

1