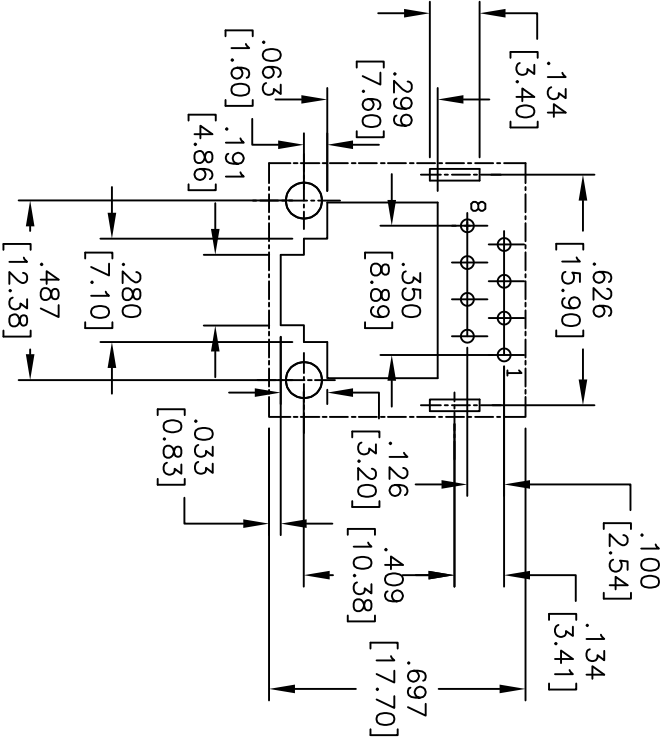
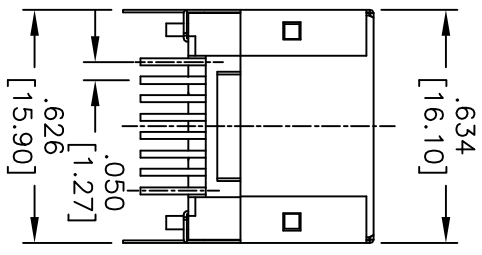
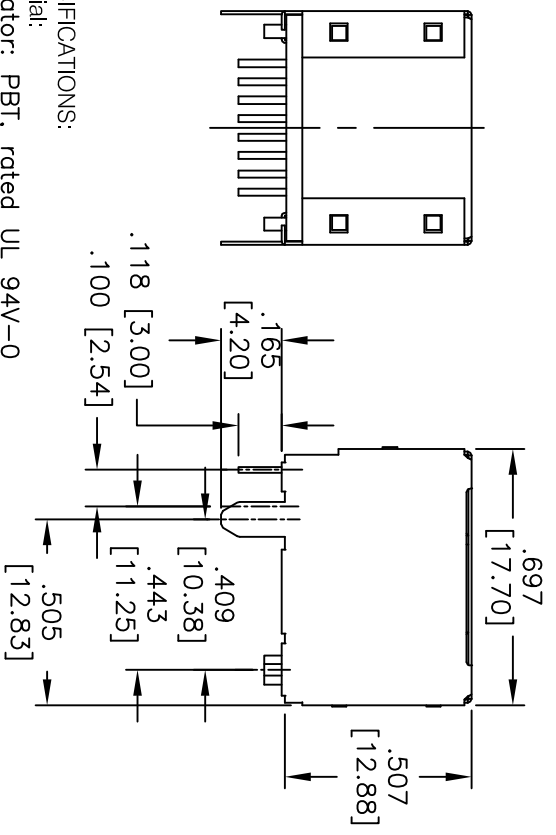
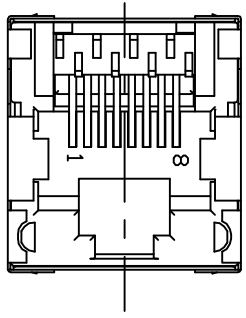


Rev	AWO #	Description	Date	Appr
-	10345	RELEASED	6/15/10	

APPROVED: _____
 DATE: _____ TITLE: _____



RECOMMENDED PCB LAYOUT

X	PLATING
0	15 µin Gold
1	30 µin Gold
2	50 µin Gold

SPECIFICATIONS:

Material:
 Insulator: PBT, rated UL 94V-0
 Insulator color: Black
 Contacts: Phosphor Bronze
 Plating:
 Gold over Nickel underplate on contact area,
 Tin over Copper underplate on PCB tails
 (See chart for thickness)
Electrical:
 Operating voltage: 125 VAC max
 Current rating: 1.5 Amps max
 Contact resistance: 45 mohms max
 Insulation resistance: 1000 Mohms min @ 500 VDC
 Dielectric withstanding voltage: 1000 VAC for 1 minute
 Temperature Rating:
 Operating temperature: -40°C to +85°C

Environmental:

Lead free, RoHS compliant.
 Recommended soldering temp: 235°C for 5 sec.



UNLESS OTHERWISE SPECIFIED
 ALL DIMENSIONS ARE INCHES [MM]
 TOLERANCES: EXCEPT AS NOTED
 INCHES Holes
 .X ± .10 ØXX ± .10
 .XX ± .020 ØXXX ± .015
 .XXX ± .015 ØXXXX ± .010
 APPROVALS DATE

ADAM TECH
 909 Rahway Avenue, Union, NJ 07083
 Phone: 908-687-5000 Fax: 908-687-5710
MODULAR TELEPHONE JACK, 8P8C
 RJ11, PCB TYPE

DRAWN	DY	6/15/10
CHECKED		
APPROVED		

SIZE	PART NO.	REV.
X	MTJ-88BEX1	-
REF: S0005C	SCALE: NTS	SHEET 1 OF 1