

6

5

4

3

2

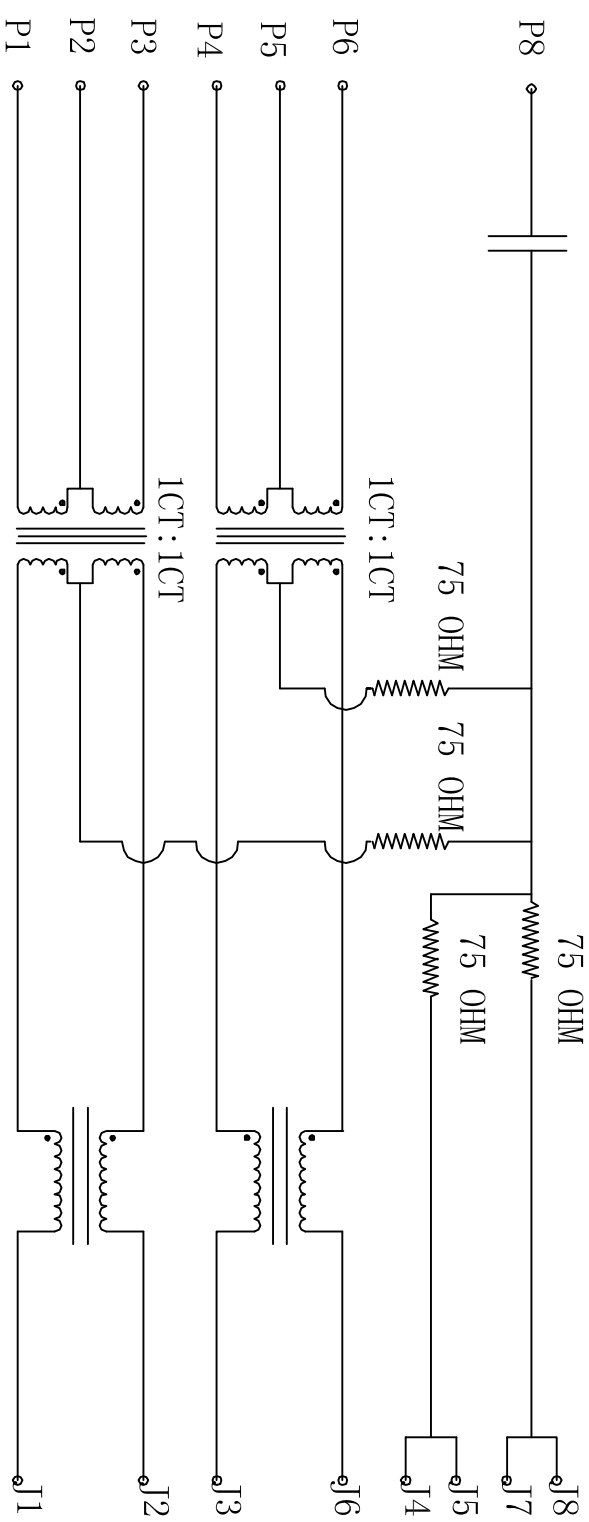
1

Rev	AWO #	Description	Date	Appr
		SEE SHT 1 OF 2 FOR REVISION		

APPROVED: _____

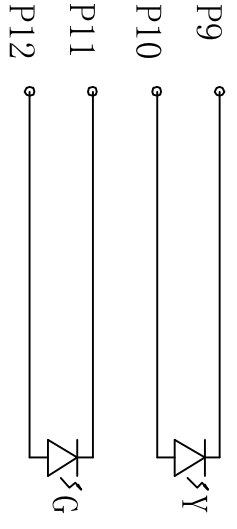
DATE: _____ TITLE: _____

CAP 1000pF 2KV



ELECTRICAL SPECIFICATIONS

- Turns Ratio: (P1 ~ P3) : (J1 ~ J2) 1:1 ±3%
(P4 ~ P6) : (J3 ~ J6) 1:1 ±3%
- Inductance: (P1 ~ P3) 350uH min. @ 0.1V, 100KHZ, 8mA DC Bias
(P4 ~ P6) 350uH min. @ 0.1V, 100KHZ, 8mA DC Bias
- Leakage Inductance: P1 ~ P3 (with J1 and J2 Short): 0.35uH Max. @ 1 MHz
P4 ~ P6 (with J3 and J6 Short): 0.35uH Max. @ 1 MHz
- Interwinding Capacitance: (P1 ~ P3) : (J1 ~ J2): 40pF max @ 1mhz
(P4 ~ P6) : (J3 ~ J6): 1.2 Ohms Max.
- DC Resistance: (J1 ~ J2) : (J3 ~ J6): 1.2 Ohms Max.
- Return Loss: 1MHZ to 30MHZ: -18dB MIN
30MHZ to 80MHZ: -12dB MIN
- Dielectric Withstanding: (P1~P3) : (J1~J2):1500VAC
(P4~P6) : (J3~J6):1500VAC
- Insertion Loss: RS=RL=100 OHM
100KHZ TO 80MHZ : -1.2dB MAX.
100KHZ TO 100MHZ: 35dB TYP
- Cross Talk: 1MHZ to 100MHZ: 30MHZ to 100MHZ: 30dB TYP
- Common to Common mode Attenuation 30MHZ to 100MHZ: 30dB TYP



ADAM TECH

909 Rahway Avenue, Union, NJ 07083
Phone: 908-687-5000 Fax: 908-687-5710

MODULAR JACK GANGED, 1 PORT, 8P8C
W/ LED1 GREEN, LED2 YELLOW

UNLESS OTHERWISE SPECIFIED ALL DIMENSIONS ARE INCHES [MM]	
TOLERANCES: EXCEPT AS NOTED	
INCHES	HOLES
.X ±.10	Ø.X ±.10
.XX ±.020	Ø.XXX ±.015
.XXX ±.015	Ø.XXX ±.010
APPROVALS	
DRAWN	DY
CHECKED	
APPROVED	
	DATE 10/29/10

SIZE	PART NO.	REV.
X	MTJ-88AX1-FSN-PG-LHM114	
REF:	S0005C	
SCALE:	NTS	
SHEET	2 OF 2	

6

5

4

3

2

1