

6

5

4

3

2

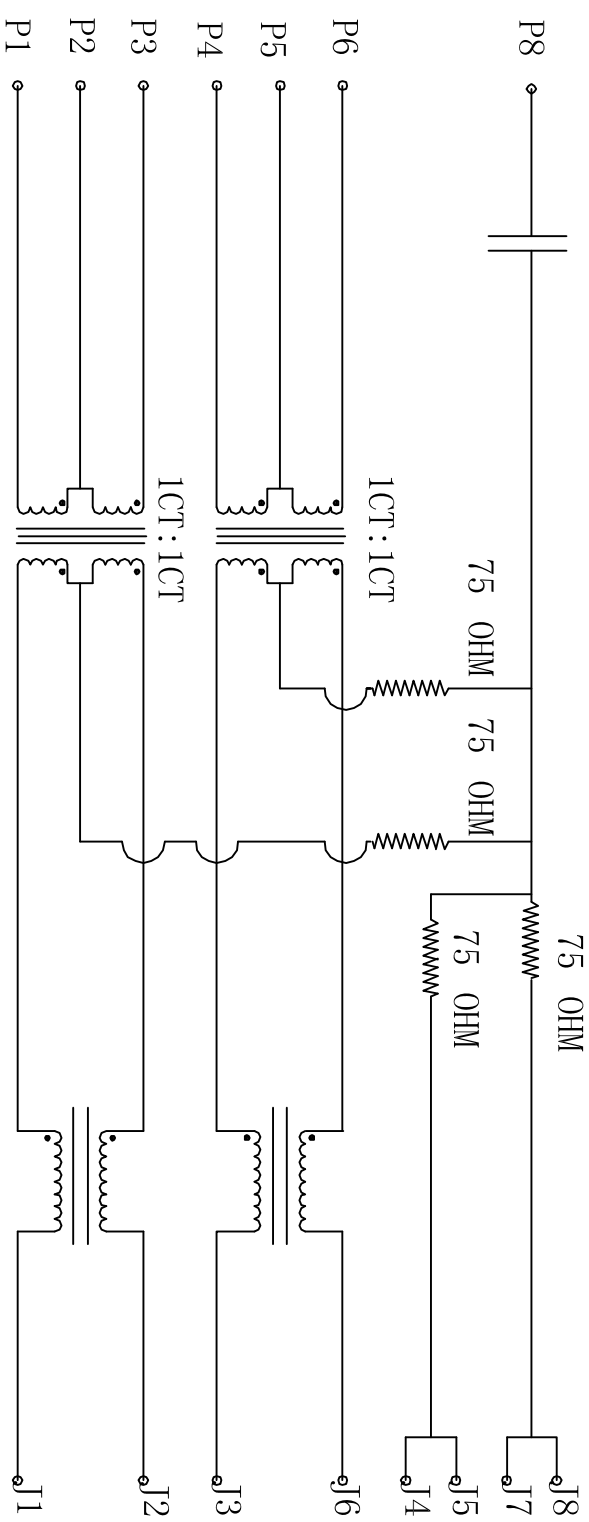
1

Rev	AWO #	Description	Date	Appr
		SEE SHT 1 OF 2 FOR REVISION		

APPROVED: _____

DATE: _____ TITLE: _____

CAP 1000pF 2KV



ELECTRICAL SPECIFICATIONS

- Turns Ratio: (P1 ~ P3) : (J1 ~ J2) 1:1 ±3%
(P4 ~ P6) : (J3 ~ J6) 1:1 ±3%
- Inductance: (P1 ~ P3) 350uH min. @ 0.1V, 100KHZ, 8mA DC Bias
(P4 ~ P6) 350uH min. @ 0.1V, 100KHZ, 8mA DC Bias
- Leakage Inductance: P1 ~ P3 (with J1 and J2 Short): 0.35uH Max. @ 1 MHz
P4 ~ P6 (with J3 and J6 Short): 0.35uH Max. @ 1 MHz
- Interwinding Capacitor: (P1 ~ P3) : (J1 ~ J2): 35pF max. @ 1MHz
(P4 ~ P6) : (J3 ~ J6): 35pF max @ 1mhz
- DC Resistance: (J1 ~ J2) : (J3 ~ J6): 1.2 Ohms Max.
- Return Loss: 1MHZ to 30MHZ: -18dB MIN
30MHZ to 60MHZ: -(18-12log(f/30))dB MIN (WHERE f IS IN MHZ)
60MHZ to 80MHZ: -12dB MIN
- Dielectric Withstanding: (P1~P3) : (J1~J2):1500VAC OR 2250VDC
(P4~P6) : (J3~J6):1500VAC OR 2250VDC
- Insertion Loss: 100KHZ TO 100MHZ : -1.2dB MAX.
- Cross Talk: 1MHZ to 100MHZ: -35dB TYP
- Common to Common mode Attenuation 30MHZ to 100MHZ: -30dB TYP

UNLESS OTHERWISE SPECIFIED
ALL DIMENSIONS ARE INCHES [MM]
TOLERANCES: EXCEPT AS NOTED

.X	± .10	Ø.X	± .10
.XX	± .020	Ø.XXX	± .015
.XXX	± .015	Ø.XXXX	± .010

INCHES HOLES

ADAM TECH
909 Rahway Avenue, Union, NJ 07083
Phone: 908-687-5000 Fax: 908-687-5710

TITLE: MODULAR JACK GANGED, 1 PORT, 8P8C
W/ LED1 GREEN, LED2 YELLOW

DRAWN	DY	DATE	5/23/11
CHECKED			
APPROVED			

SIZE	PART NO.	REV.
X	MTJ-88AX1-FSNLH-M5	-

REF: S0005C SCALE: NTS SHEET 2 OF 2