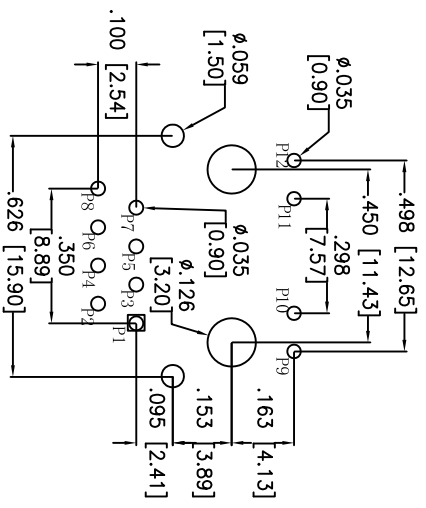
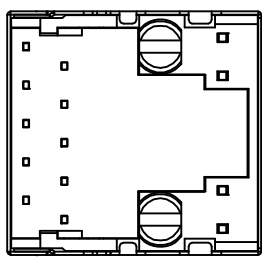
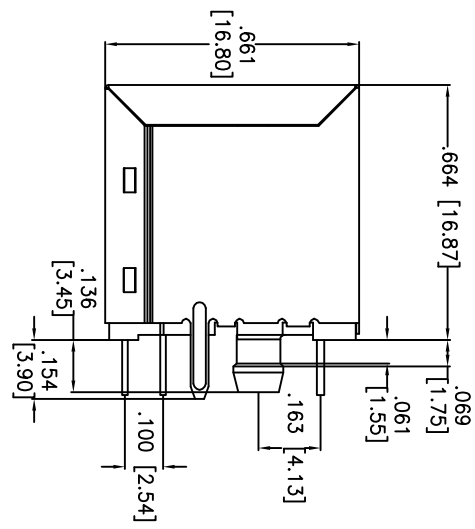
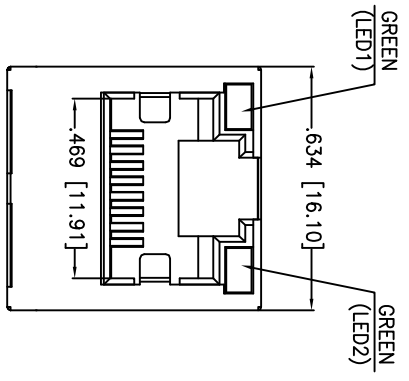
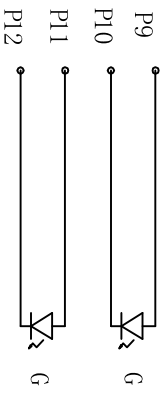


| Rev | AWO # | Description | Date    | Appr |
|-----|-------|-------------|---------|------|
| -   |       | RELEASED    | 5/06/10 |      |

APPROVED: \_\_\_\_\_  
 DATE: \_\_\_\_\_ TITLE: \_\_\_\_\_



RECOMMENDED PCB LAYOUT



| X | PLATING     |
|---|-------------|
| 0 | 15 μin Gold |
| 1 | 30 μin Gold |
| 2 | 50 μin Gold |

**SPECIFICATIONS:**

Material: HI-temp thermoplastic, rated UL 94V-0  
 Insulator color: Black  
 Contacts: Copper Alloy  
 Shield: Copper Alloy, Nickel plated  
 Contact Plating:  
 Gold Flash over Nickel underplate on contact area,  
 Tin over Copper underplate on tails  
 (See chart for thickness).

Electrical:  
 Operating voltage: 150 VAC max  
 Current rating: 1.5 Amps max  
 Contact Resistance: 20 mohms max. initial  
 Insulation resistance: 500 Mohms min @ 500 VDC  
 Dielectric withstanding voltage: 1000 VAC for 1 minut  
 Temperature Rating:  
 Operating temperature: -40°C to +125°C

Environmental:  
 Lead free, RoHS compliant.  
 Recommended soldering temp: 260°C for 5 sec.



UNLESS OTHERWISE SPECIFIED  
 ALL DIMENSIONS ARE INCHES [MM]  
 TOLERANCES: EXCEPT AS NOTED  
 INCHES  
 .X ± .10 Ø.X ± .10  
 .XX ± .020 Ø.XXX ± .015  
 .XXX ± .015 Ø.XXXX ± .010

| APPROVALS | DATE |
|-----------|------|
| DRAWN     | DY   |
| CHECKED   |      |
| APPROVED  |      |

**ADAM TECH**  
 909 Rahway Avenue, Union, NJ 07083  
 Phone: 908-687-5000 Fax: 908-687-5710  
 TITLE: MODULAR JACK GANGED, 1 PORT, 8P8C  
 W/ LED1 GREEN, LED2 GREEN

|        |                     |      |
|--------|---------------------|------|
| SIZE   | PART NO.            | REV. |
| X      | MTJ-88AX1-FSN-LD-HT | -    |
| REF:   | S00005C             |      |
| SCALE: | NTS                 |      |
| SHEET  | 1 OF 1              |      |