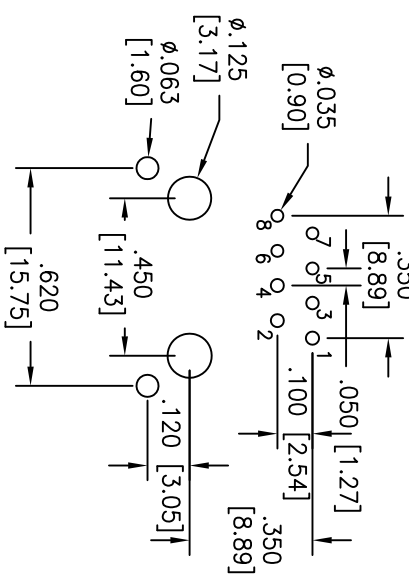
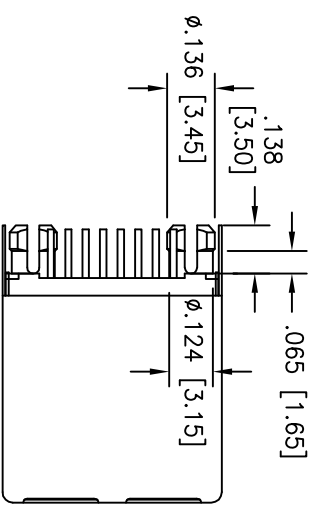
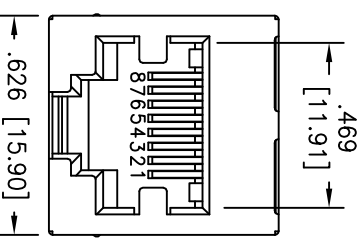
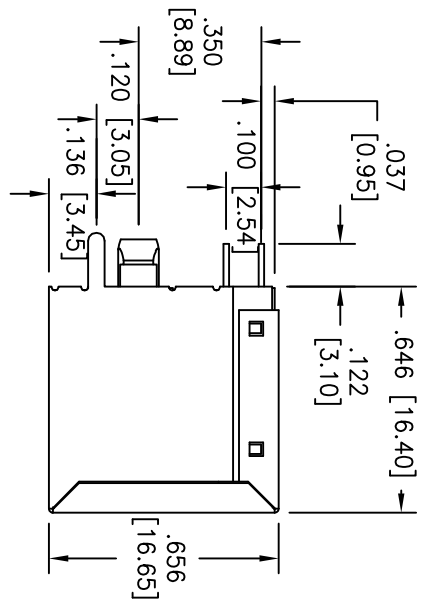
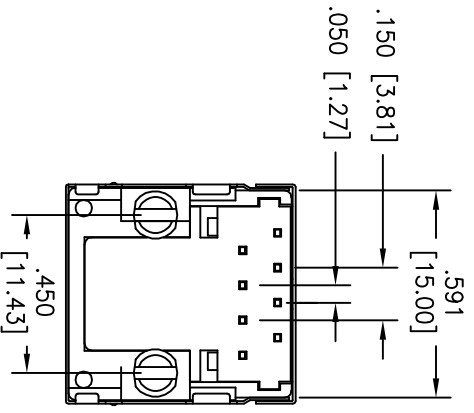


APPROVED: \_\_\_\_\_  
 DATE: \_\_\_\_\_ TITLE: \_\_\_\_\_

Rev	AWO #	Description	Date	Appr
-		RELEASED	8/24/09	
A		REVISED PIN MARK	11/11/10	



X	PLATING
0	15 µin Gold
1	30 µin Gold
2	50 µin Gold

RECOMMENDED PCB LAYOUT

**SPECIFICATIONS:**

**Material:** Hi-temp Nylon, rated UL 94V-0  
**Insulator color:** Black  
**Contacts:** Phosphor Bronze  
**Shield:** Phosphor Bronze, tin plated  
**Plating:** Gold over Nickel underplate on contact area, Tin over Copper underplate on PCB tails

**Electrical:**  
**Operating voltage:** 125 VAC max  
**Current rating:** 1.5 Amps max  
**Contact resistance:** 20 mohms max  
**Insulation resistance:** 1000 Mohms min @ 500 VDC  
**Dielectric withstanding voltage:** 1000 VAC for 1 minute  
**Temperature Rating:**  
**Operating temperature:** -40°C to +125°C

**Environmental:**  
**Lead free, RoHS compliant.**  
**Recommended soldering temp:** 260°C for 5 sec.



UNLESS OTHERWISE SPECIFIED  
 ALL DIMENSIONS ARE INCHES [MM]  
 TOLERANCES: EXCEPT AS NOTED  
 INCHES HOLES  
 .X ± .10 ØXX ± .10  
 .XX ± .020 ØXX ± .015  
 .XXX ± .015 ØXXX ± .010

**ADAM TECH**  
 909 Railway Avenue, Union, NJ 07083  
 Phone: 908-687-5000 Fax: 908-687-5710  
**MODULAR TELEPHONE JACK, 8P8C VERTICAL**

DRAWN		DATE	
DRY		8/24/09	
CHECKED		DATE	
APPROVED		DATE	

SIZE	PART NO.	SCALE	SHEET	REV.
X	MT-188AX1-FSE-HT	NIS	1 OF 1	A
REF:	S00005C			