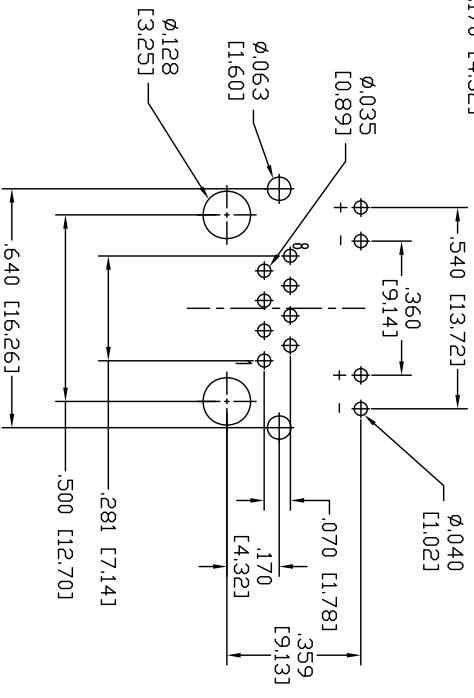
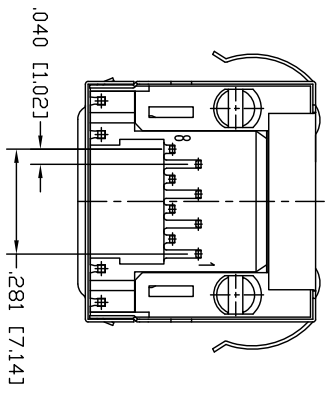
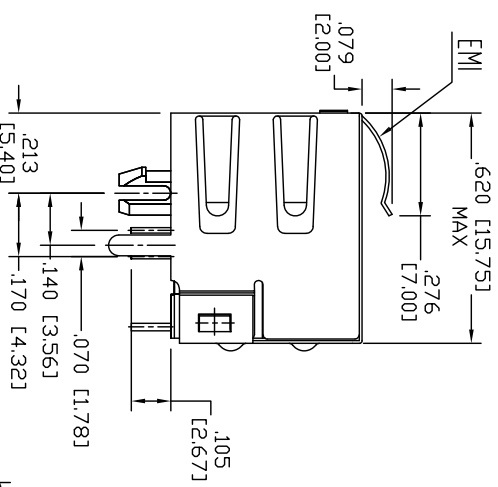
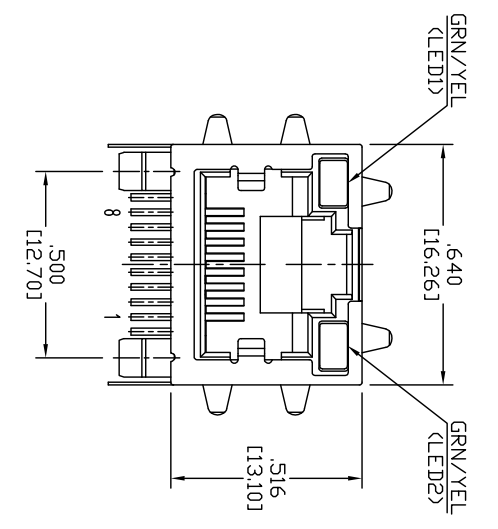


Rev	AWO #	Description	Date	Appr
-		RELEASED	1/12/11	

APPROVED: _____
 DATE: _____ TITLE: _____



X	PLATING
0	15 µin Gold
1	30 µin Gold
2	50 µin Gold

RECOMMENDED PCB LAYOUT

SPECIFICATIONS:

Material:
 Insulator: PBT, glass reinforced, rated UL 94V-0
 Insulator color: Black
 Contacts: Phosphor Bronze
 Shield: Copper Alloy, Nickel plated
 Contact Plating:
 Gold Flash over Nickel underplate on contact area,
 Tin over Copper underplate on tails
 (See chart for thickness).

Electrical:
 Operating voltage: 125 VAC max
 Current rating: 1.5 Amps max
 Contact Resistance: 30 mohms max. initial
 Insulation resistance: 500 Mohms min
 Dielectric withstanding voltage: 1000 VAC for 1 minut
 Temperature Rating:
 Operating temperature: -40°C to +85°C
 Environmental:
 Lead free, RoHS compliant.
 Recommended soldering temp: 235°C for 5 sec.

ADAM TECH

909 Rahway Avenue, Union, NJ 07083
 Phone: 908-687-5000 Fax: 908-687-5710

TITLE: MODULAR JACK, 8P8C, RIGHT ANGLE
 W/ LED1 GAN / YEL, LED2 GAN / YEL

UNLESS OTHERWISE SPECIFIED ALL DIMENSIONS ARE INCHES [MM]	
TOLERANCES: EXCEPT AS NOTED	
INCHES	
.X	± .10
.XX	± .020
.XXX	± .015
HOLES	
Ø.X	± .10
Ø.XX	± .015
Ø.XXX	± .010
APPROVALS	
DRAWN	AY
CHECKED	JL
APPROVED	
DATE	1/12/11

SIZE	PART NO.	REV.
X	MTJ-88ARX10-FSW-PG-L16	-

