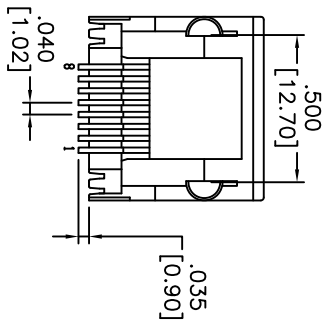
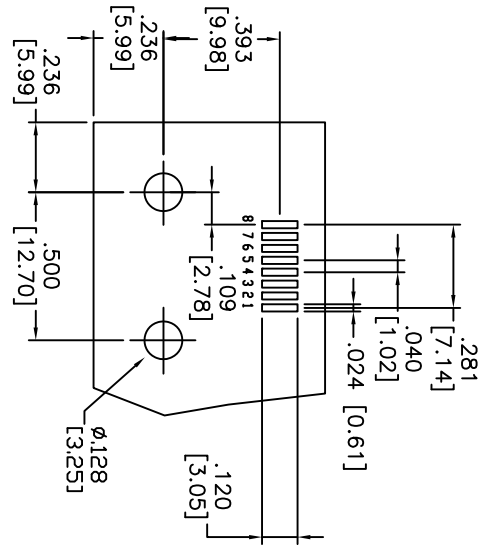
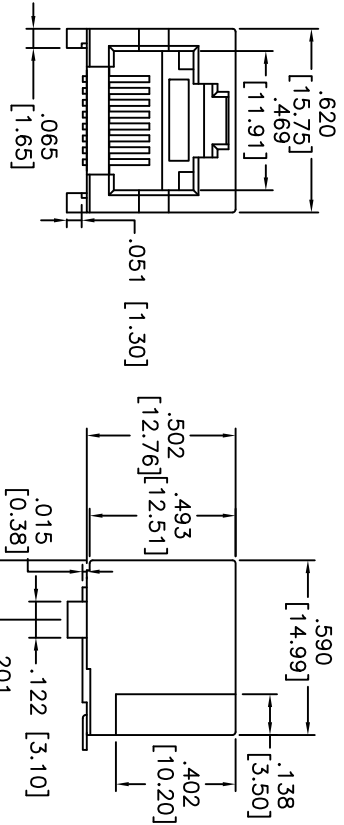


Rev	AWO #	Description	Date	Appr
-		RELEASED	5/20/08	

APPROVED: _____
 DATE: _____ TITLE: _____



X	PLATING
0	15 µin Gold
1	30 µin Gold
2	50 µin Gold

SPECIFICATIONS:
 Material: Insulator: Hi-Temp Nylon, rated UL 94V-0
 Insulator color: Black
 Contacts: Phosphor Bronze
 Plating: Gold over Nickel underplate on contact area, Tin over Copper underplate on PCB tails
 Electrical:
 Operating voltage: 150 VAC max
 Current rating: 1.5 Amps max
 Contact resistance: 20 mohms max
 Insulation resistance: 500 Mohms min @ 500 VDC
 Dielectric withstanding voltage: 1000 VAC for 1 minute
 Temperature Rating: Operating temperature: -40°C to +125°C
 Environmental:
 Lead free, RoHS compliant.
 Recommended soldering temp: 260°C for 5 sec.

ADAM TECH

909 Railway Avenue, Union, NJ 07083
 Phone: 908-687-5000 Fax: 908-687-5710

TITLE
 MODULAR TELEPHONE JACK, 8P8C
 RJ45, SMT, SIDE ENTRY

UNLESS OTHERWISE SPECIFIED ALL DIMENSIONS ARE INCHES [MM]		TOLERANCES EXCEPT AS NOTED INCHES		Holes		DATE	
.X	± .10	ØXX	± .10	ØXXX	± .015	XXX	± .010
.XXX	± .015	ØXXX	± .015	XXX	± .010	XXX	± .010
APPROVALS				DATE			
DRAWN	DY	5/20/08					
CHECKED							
APPROVED							
SIZE	PART NO.	TITLE		REV.			
X	MTJ-88ARX1-SMT	RJ45, SMT, SIDE ENTRY		-			
REF:	SCALE: NTS	SHEET 1 OF 1					