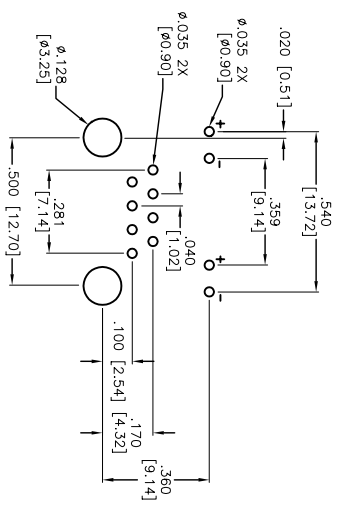
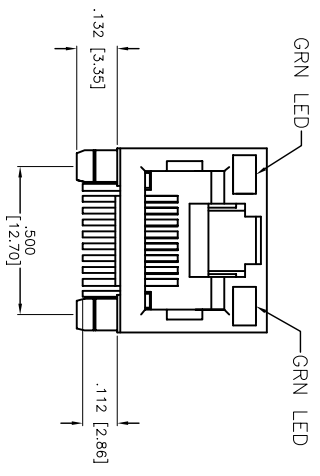
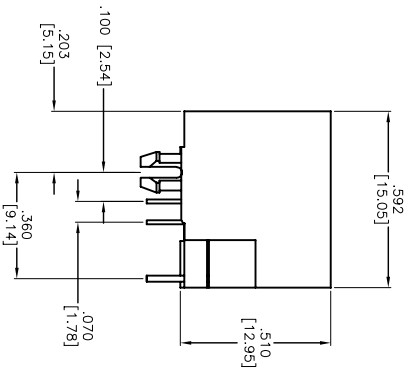
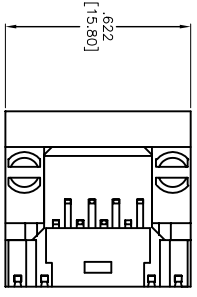


Rev	AWO #	Description	Date	Appr
-		RELEASED	5/2/05	

APPROVED: \_\_\_\_\_  
 DATE: \_\_\_\_\_ TITLE: \_\_\_\_\_



RECOMMENDED PCB LAYOUT

X	PLATING
0	15 µin Gold
1	30 µin Gold
2	50 µin Gold

**SPECIFICATIONS:**

**Material:**

Insulator: PBT, glass reinforced, rated UL 94V-0

Insulator color: Black

Contacts: Phosphor Bronze

**Plating:**

X u" Gold over Nickel underplate on contact area, Tin over Copper underplate on tails (See chart)

**Electrical:**

Operating voltage: 150 VAC max

Current rating: 1.5 Amps max

Contact resistance: 20 mohms max

Insulation resistance: 500 Mohms min @ 500 VDC

Dielectric withstanding voltage: 1000 VAC for 1 minute

**Temperature Rating:**

Operating temperature: -40°C to +125°C

**Environmental:**

Lead free, RoHS compliant.

Recommended soldering temp: 230 for 5 sec.



UNLESS OTHERWISE SPECIFIED  
 ALL DIMENSIONS ARE IN INCHES [MM]  
 TOLERANCES: EXCEPT AS NOTED  
 INCHES Holes ±.10  
 .X ±.10 Ø.X  
 .XX ±.020 Ø.XXX  
 .XXX ±.015 Ø.XXX  
 .XXX ±.010

**ADAM TECH**  
 909 Rahway Avenue, Union, NJ 07083  
 Phone: 908-687-5000 Fax: 908-687-5710

**MODULAR TELEPHONE JACK, 8P8C  
 RIGHT ANGLE, WITH GREEN LED'S**

DRAWN	SS	5/2/05	SIZE	PART NO.	REV.
CHECKED			X	MTJ-88ARX1-LD	
APPROVED			REF:	SCALE: NTS	SHEET 1 OF 1