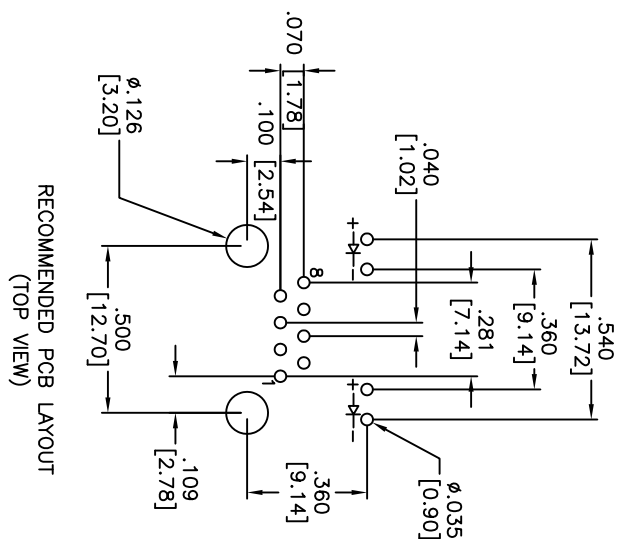
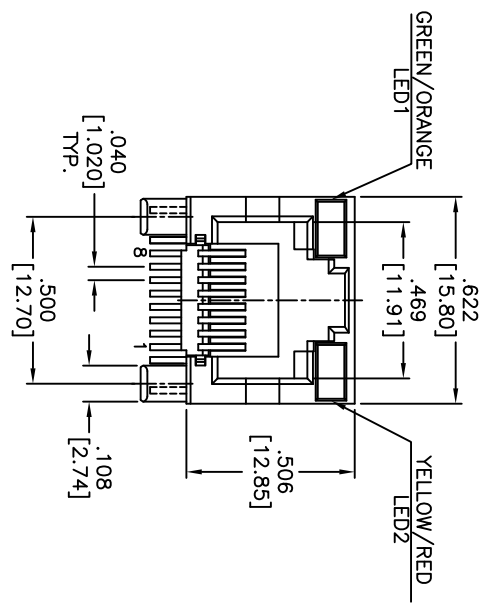
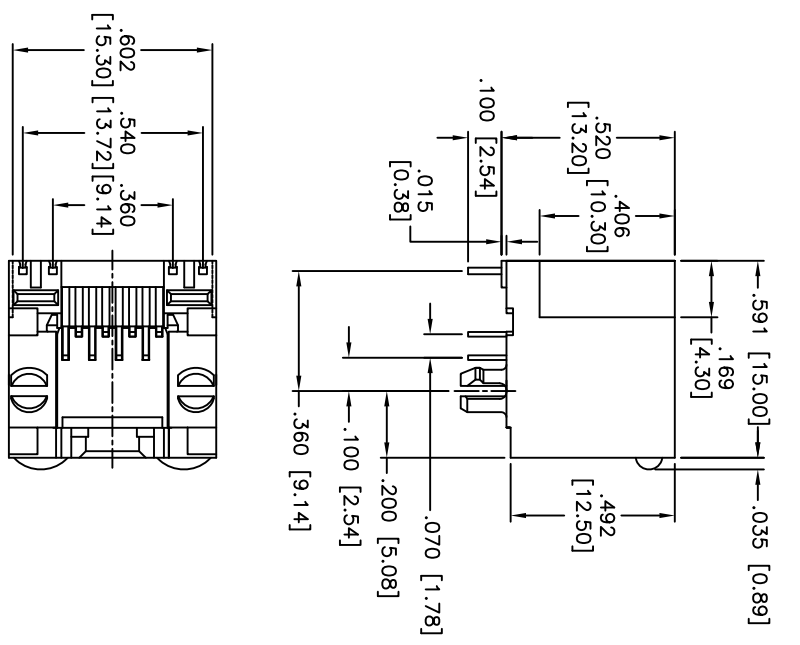


Rev	AWO #	Description	Date	Appr
-		RELEASED	10/01/09	

APPROVED: _____
 DATE: _____ TITLE: _____



RECOMMENDED PCB LAYOUT
(TOP VIEW)

X	PLATING
0	15 μ m Gold
1	30 μ m Gold
2	50 μ m Gold

ADAM TECH

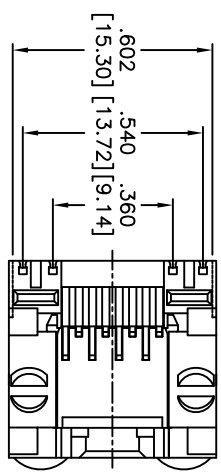
909 Rahway Avenue, Union, NJ 07083
 Phone: 908-687-5000 Fax: 908-687-5710

MODULAR TELEPHONE JACK, 8P8C, R/A
 W/LED1 GRN/ORN, LED2 YEL/ RED

UNLESS OTHERWISE SPECIFIED ALL DIMENSIONS ARE INCHES [MM]	
TOLERANCES: EXCEPT AS NOTED	
INCHES	HOLDS
.X \pm .10	ϕ XX \pm .10
.XX \pm .020	ϕ XXX \pm .015
.XXX \pm .015	ϕ XXX \pm .010
APPROVALS	DATE
DRAWN	DY
CHECKED	
APPROVED	

SIZE	PART NO.	REV.
X	MTJ-88ARX1-L21	-
REF: S00068T	SCALE: NTS	SHEET 1 OF 1

SPECIFICATIONS:
 Material: Insulator: PBT, rated UL 94V-0
 Insulator color: Black
 Contacts: Phosphor Bronze
 Plating: Gold over Nickel underplate on contact area, Tin over Copper underplate on SMT tails.
 (See chart for thickness)
 Electrical: Operating voltage: 150 VAC max
 Current rating: 1.5 Amps max
 Contact resistance: 20 Mohms max
 Insulation resistance: 500 Mohms min @ 500 VDC
 Dielectric withstanding voltage: 1000 VAC for 1 minute
 Temperature Rating: Operating temperature: -40°C to +125°C
 Environmental: Lead free, RoHS compliant.
 Recommended soldering temp: 235°C for 5 sec.



6 5 4 3 2 1