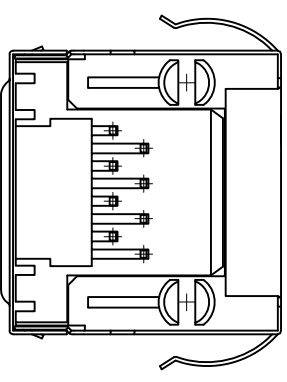
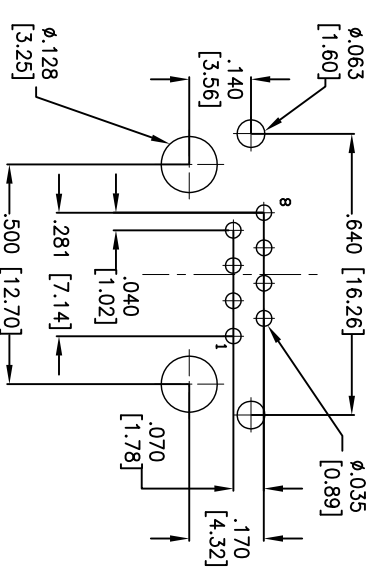
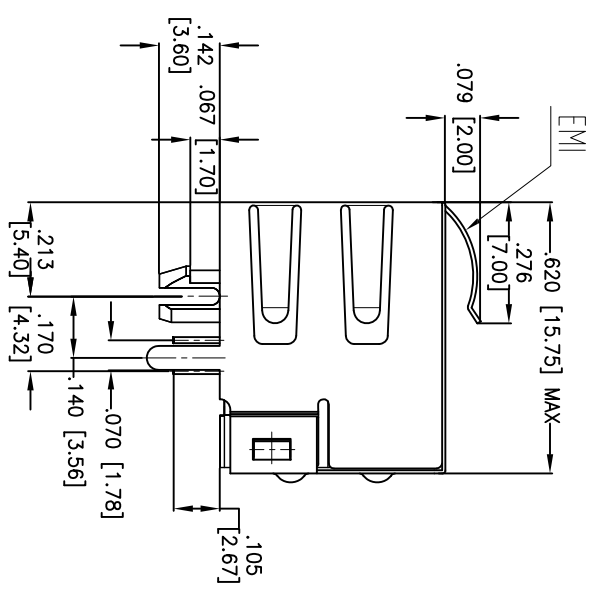
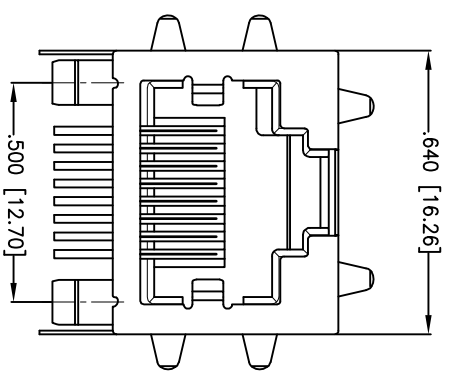


Rev	AWO #	Description	Date	Appr
-		RELEASED	1/25/11	

APPROVED: \_\_\_\_\_  
 DATE: \_\_\_\_\_ TITLE: \_\_\_\_\_



X	PLATING
0	15 µin Gold
1	30 µin Gold
2	50 µin Gold

RECOMMENDED PCB LAYOUT

**SPECIFICATIONS:**

**Material:**

Insulator: PBT, glass reinforced, rated UL 94V-0

Insulator color: Black

Contacts: Phosphor Bronze

Shield: Copper Alloy, Nickel plated

Contact Plating:

Gold Flash over Nickel underplate on contact area,  
Tin over Copper underplate on tails

(See chart for thickness).

**Electrical:**

Operating voltage: 125 VAC max

Current rating: 1.5 Amps max

Contact Resistance: 30 mohms max. initial

Insulation resistance: 500 Mohms min

Dielectric withstanding voltage: 1000 VAC for 1 minut

Temperature Rating:

Operating temperature: -40°C to +85°C

Environmental:

Lead free, RoHS compliant.  
Recommended soldering temp: 235°C for 5 sec.



UNLESS OTHERWISE SPECIFIED  
 ALL DIMENSIONS ARE INCHES [MM]  
 TOLERANCES: EXCEPT AS NOTED

INCHES	HOLES
.X ± .10	Ø.X ± .10
.XX ± .020	Ø.XXX ± .015
.XXX ± .015	Ø.XXXX ± .010

**ADAM TECH**  
 909 Ratway Avenue, Union, NJ 07083  
 Phone: 908-687-5000 Fax: 908-687-5710

MODULAR JACK GANGED, 1 PORT, 8P8C

APPROVALS	DATE
DRAWN AY	1/25/11
CHECKED JL	1/25/11
APPROVED	

SIZE	PART NO.	REV.
X	MTJ-88ARX1-FSW-PG	
REF:	S00167T	SCALE: NTS
		SHEET 1 OF 1